

HDBaseT-compatible transmitter/receiver capable of transmitting HDMI signals up to 100 meters over an Ethernet cable



HDBaseT TRANSMITTER HT-TX01

HDBaseT RECEIVER HT-RX01



- HDBaseT-compatible transmitter/receiver capable of transmitting HDMI signals up to 100 meters over an Ethernet cable
- Converts HDBaseT signals to/from HDMI

- Up to 1080/60p and WUXGA support for HDMI
- HDCP compliant
- Capable of RS-232C transmission

■ Long-distance HDMI transmission

Connecting an Ethernet cable to the HT-TX01 or HT-RX01 enables transmission of HDMI signals over a distance of up to 100 meters.*¹ This makes it possible to connect video cameras, Blu-ray decks, switchers, and other source equipment to LCD monitors, projectors, and other display devices. In addition to HDMI signals, RS-232C*² signals can also be transmitted, making it possible to send control signals along with video and audio reducing system wiring.

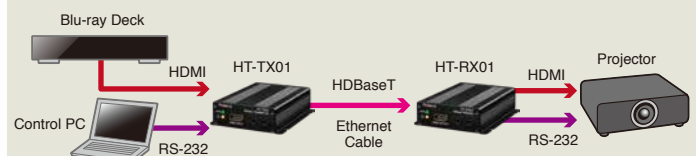
*¹ When making a connection to the HDBaseT connector, use a Cat 5e (Category 5e) or higher shielded LAN cable (shielded twisted pair.STP). Connecting an unsuitable cable might result in a drop in signal quality or interrupted video transmission. Also, using an unshielded LAN cable might cause the unit to malfunction due to accumulated static charge in the cable.

*² For RS-232C signal input/output, use the included conversion cable (D-Sub 9-pin miniature phone plug).

■ Roland XS series output receiver

The HT-RX01 can be used as a receiver for the HDBaseT output from XS series multi-format matrix switchers. Using the RS-232C signal transmission function of the XS series lets you transmit RS-232C signals input to the XS series device along with video and audio signals. This can achieve audio/video transmission in school auditoriums, company conference halls, and other large spaces.

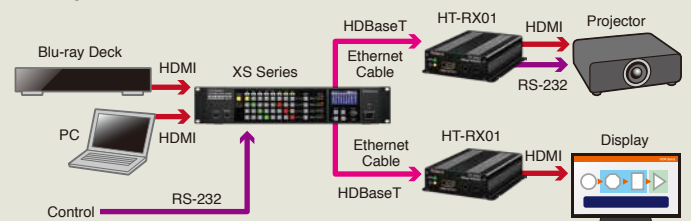
[Example] Long-distance extender for HDMI signals



[Example] XS series input extender



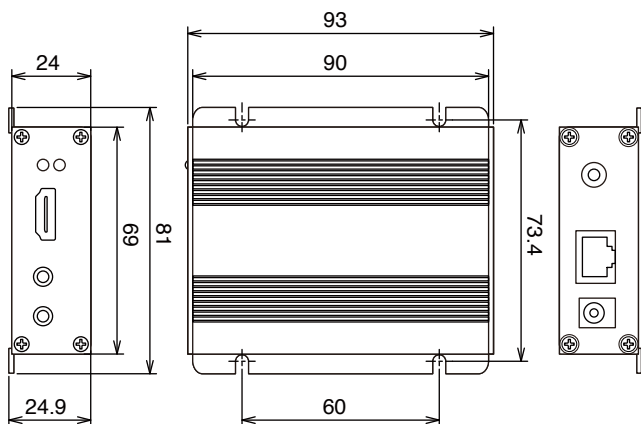
[Example] XS series HDBaseT extender



Specifications

	HT-TX01 : HDBaseT TRANSMITTER	HT-RX01 : HDBaseT RECEIVER
Input Formats	480/59.94i, 576/50i, 480/59.94p, 576/50p, 720/59.94p, 720/50p, 1080/59.94i, 1080/50i, 1080/59.94p, 1080/50p, 640×480, 800×600, 1024×768, 1280×768, 1280×1024, 1366×768, 1400×1050, 1600×1200, 1920×1200 * RGB formats : Conforms to VESA DMT Version 1.0 Revision 11. * The maximum refresh rates of RGB is 75 Hz. (excluding 1600 x 1200 and 1920 x 1200. The refresh rate of these 2 is 60Hz) * 1920 x 1200/60Hz : Reduced blanking	
Audio Formats	The maximum is PCM 8ch, Dolby Digital, True HD DTS-HD Master Audio	
Input Connectors	HDMI×1 : Type A (19 Pins)	RJ45×1
Output Connectors	RJ45×1	HDMI×1 : Type A (19 Pins)
Other Connectors	RS-232 x 1 : 9 pins D-sub type Communication method : Synchronous (asynchronous), full-duplex Communication speed : 9600 bps, 19200 bps, 38400 bps, 115200 bps Parity : none Data length : 8 bit Stop bit : 1 bit Code set : ASCII Flow Control : none * When making a connection to the HDBaseT connector, use a Cat 5e (Category 5e) or higher shielded LAN cable (shielded twisted pair.STP). Connecting an unsuitable cable might result in a drop in signal quality or interrupted video transmission. Also, using an unshielded LAN cable might cause the unit to malfunction due to accumulated static charge in the cable.	
Transmission distance	The maximum is 100m (328 ft) * To make connections, use a Cat 5e (Category 5e) or later shielded LAN cable. * The available distance depends on the quality of the LAN cable.	
Operating temperature range	0 ~ 40°C	Operating temperature humidity 10 ~ 85% (no condensation)
Storage temperature range	-20 ~ 60°C	Storage temperature humidity 10 ~ 85% (no condensation)
Power Supply	AC adaptor	Current Draw 2A
Dimensions	81 (W) x 93 (D) x 24 (H) mm 3-3/16 (W) x 3-11/16 (D) x 1 (H) inches	Weight 0.3kg (excl. AC adaptor)
Accessories	AC adaptor, AC plugs (3 types) RS-232 conversion cable (2 m (6 ft 6 inches)) Ferrite core x 3 Owner's Manual	

Dimensions



XS Series

MULTI-FORMAT MATRIX SWITCHER

XS SERIES

An all-in-one matrix switcher also capable of multi-screen output and screen compositing.
Easy control of both video and audio using a tablet or computer.



XS-B4H : 8 x Inputs , 4 x Outputs

XS-B3H : 8 x Inputs , 3 x Outputs

XS-B2H : 8 x Inputs , 2 x Outputs



All specifications and appearances are subject to change without notice. Company names and product names appearing in this document are registered trademarks or trademarks of their respective owners. Roland is either registered trademark or trademark of Roland Corporation in the United States and/or other countries. It is forbidden by law to make an audio recording, video recording, copy or revision of a third party's copyrighted work (musical work, video work, broadcast, live performance, or other work), whether in whole or in part, and distribute, sell, lease, perform, or broadcast it without the permission of the copyright owner. Do not use this product for purposes that could infringe on a copyright held by a third party. We assume no responsibility whatsoever with regard to any infringements of third-party copyrights arising through your use of this product. Copyright 2014 Roland Corporation. All rights reserved.