

**Panasonic**  
**CONNECT**

**AW-HR140**  
Full-HD Outdoor Integrated Camera

Compatible with various  
outdoor environments  
and applications



# Outdoor integrated remote camera that maintains stable recording performance in the toughest of environments

Outdoor housing and camera, lens, and pan head are integrated in this remote camera system.

The camera is equipped with a Digital Signal Processor (DSP) and 1/2.86 type full HD 3MOS sensors. High sensitivity, a high S/N ratio, and high resolution are achieved by advanced video processing.

Mechanisms for shooting outdoors, such as resistance to water, dust, wind pressure, severe salt damage, and hot environments, provide high-quality shooting in a variety of tough outdoor environments.



## 1/2.86-type 3MOS sensors for high-level video capture and production.

Equipped with 1/2.86-type full HD 3MOS sensors and a DSP (Digital Signal Processor), the AW-HR140 realizes high sensitivity, a high S/N ratio and high resolution through the use of advanced video processing.

## High Performance 20x Zoom Lens/1.4x Digital Extender Zoom

In addition to a sharp, fast F1.6, 20x optical zoom lens, the AW-HR140 is equipped with an innovative 1.4x digital extender that can increase the effective focal length of the lens by 40% while delivering smooth, high resolution video.



\*Images are simulated

## Haze Reduction Function

For installations in places where haze tends to occur, this function performs correction for a subject with low contrast to make the image clearer. Three settings can be selected for the compensation level.

- White-tinged images are reduced and overall contrast is improved.
- Intensity of haze reduction effect can be adjusted manually according to the density of haze.
- Haze reduction level can be selected from three stages: low, mid, and high.



\*Images are simulated

## Resistance to wind pressure

All functions are guaranteed to operate in wind speeds of up to 15 m/s. Basic performance is maintained at wind speeds of up to 50 m/s without destruction of the camera.

## Resistance to severe salt damage and compatibility with hot environments

Aluminum and other metal parts are coated to protect against severe salt damage, enabling installation in seaside areas subject to salt air. PBT/PPS plastic is employed for the exterior, giving excellent heat resistance.



PBT (Polybutylene Terephthalate): Excellent long-term thermal stability  
PPS (Polyphenylene Sulfide): High heat resistance and excellent abrasion resistance

## Defroster for temperatures down to $-15^{\circ}\text{C}$ ( $5^{\circ}\text{F}$ )

Frosting, icing, and condensation are prevented by heating in environments as cold as  $-15^{\circ}\text{C}$  ( $5^{\circ}\text{F}$ ). Even in blizzards, snow that hits the glass surface melts off to maintain visibility.



### Lens wiper

The lens part is kept clear even when used in harsh environments. The wiper can be controlled by a remote camera controller (AW-RP150/RP60\*) if connected to the control terminal of a commercially available washer unit from the camera's washer control terminal.



\*See page 5 for details. Use may require a software version update.

### Industry's first professional camera\* with pan/tilt mechanism vibration compensation function; Dynamic Image Stabilizing System (D.I.S.S.)

In addition to stabilization by conventional optical image stabilization (OIS) technology, shaking is also corrected by D.I.S.S. to enable smooth recording outdoors. Such shaking could include that from impacts and vibration due to recording outdoors or being installed under certain conditions and that during pan/tilt rotation operations.

\*According to our research, as of April 2017.



Without D.I.S.S.

With D.I.S.S.

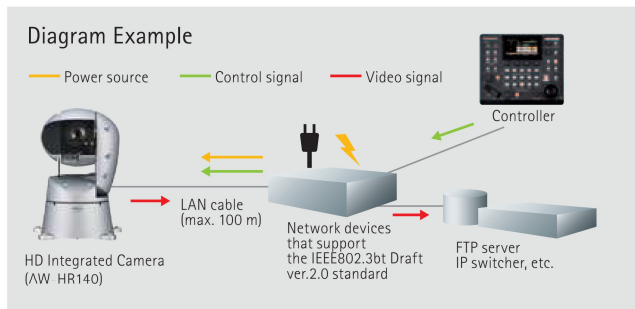
\*Images are simulated

### 3 Auto Tracking White Balance (ATW) modes (Slow/Normal/Fast)

In addition to the conventional tracking speed (normal), Slow Mode for gently tracking color temperature changes outdoors, and Fast Mode for quick tracking have been added.

### Supporting PoE++\* for lower installation cost

By connecting to network devices that support the IEEE802.3bt Draft ver.2.0 standard, power can be supplied via LAN cable. Since it is not necessary to install a power supply or even a local AC outlet, installation costs can be significantly reduced.



Hubs that support IEEE802.3af/at(PoE/PoE+) are not supported.  
\*Abbreviation of Power over Ethernet Plus Plus.

### Dynamic Range Stretch (DRS) / Hybrid Digital Noise Reduction (Hybrid DNR)

Black defects, halation and washed-out colors are minimized for video images with a visually broad dynamic range (DRS). In addition, with Hybrid Digital Noise Reduction (Hybrid DNR), two types of noise reduction, 2D and 3D, are used together to enable clear video capture under a wide range of lighting conditions, with minimal after-image blurring or image degradation.

### Equipped with Night Mode for infrared shooting

The AW-HR140 can deliver high-quality monochrome video in total darkness, when the camera's Night Mode is used in conjunction with an optional IR illuminator.



\*Images are simulated

### Supports multiple formats for flexible output

In addition to typically supported formats, the camera as well as other cameras designed for indoor-use supports multiple output formats required for specialized applications, including 1080/29.97p, 1080/25p, 1080/23.98p. Remote control video capture can now be more easily performed for specialized applications such as teleproduction, and scientific research.

#### Supported formats

1080/59.94p, 1080/29.97p\*1, 1080/23.98p\*2, 1080/59.94i, 1080/29.97PsF\*3, 1080/23.98PsF\*3, 720/59.94p, 1080/50p, 1080/25p\*1, 1080/50i, 1080/25PsF\*3, 720/50p

\*1: Native output \*2: Over 59.94i output \*3: For 1080/25PsF, 50i may be displayed on the monitor screen. Furthermore, for 1080/23.98PsF and 29.97PsF, 59.94i may be displayed on the monitor screen.

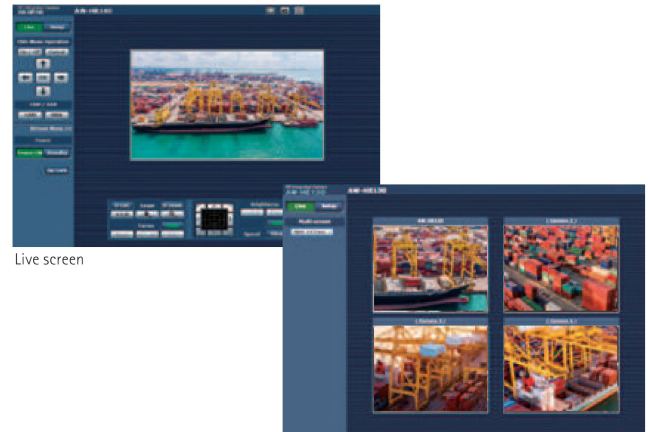
### Monitoring by IP control using PC, Mac and mobile terminals

Using an IP browser, such as Internet Explorer or Safari, it is possible to set up and control the camera from a remote location. This feature simplifies the management of cameras around a campus, or across a worldwide enterprise network. IP video monitoring and remote camera control can also be performed from mobile terminals such as an iPhone, iPad or Android devices.



Mobile terminal screen

#### Camera control screen (Mac)



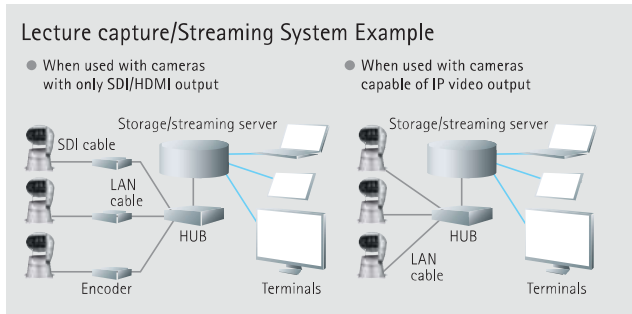
Live screen

Multi-screen screen

• For the latest information on OS/browser support, please refer to the "PASS" through the Panasonic website ( <https://pro-av.panasonic.net/en/> ).

## Transmit IP video without a separate encoder reduces cost and simplifies installation

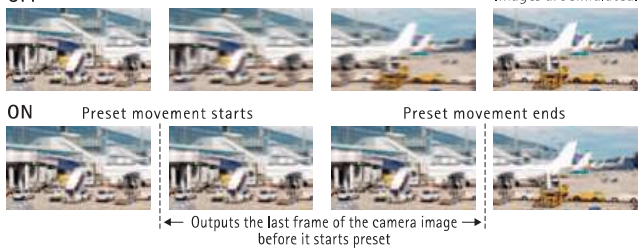
There is no need for the separate encoder normally required when streaming video and audio via IP. Thus, systems can be built with exceptional cost/performance benefits.



## Freeze During Preset function

The Freeze During Preset function can freeze the video during preset playback. The immediate preceding still image is output during preset movements so that the swiveling movement is not displayed, making operations possible with one camera.

### With Freeze During Preset function OFF and ON

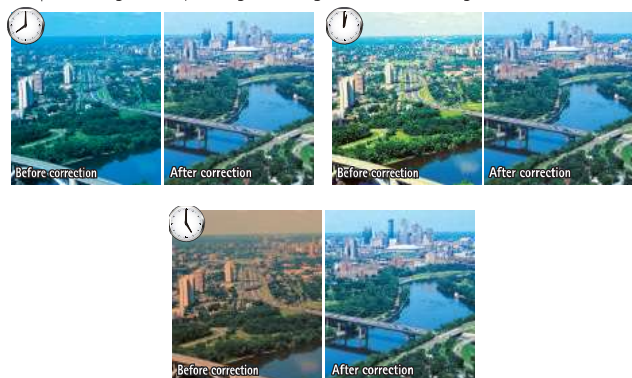


## Intelligent Functions

Intelligent functions significantly reduce time and effort for adjustment during remote video acquisition.

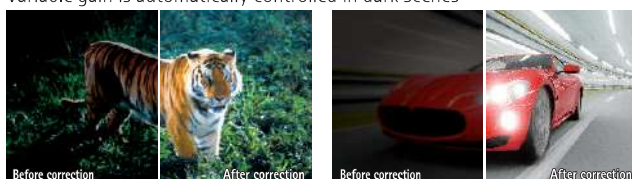
### Auto Tracking White Balance Function

This function automatically adjusts the white balance as the color temperature gradually changes during outdoor shootings.



### Automatic Gain Control (AGC)

Variable gain is automatically controlled in dark scenes



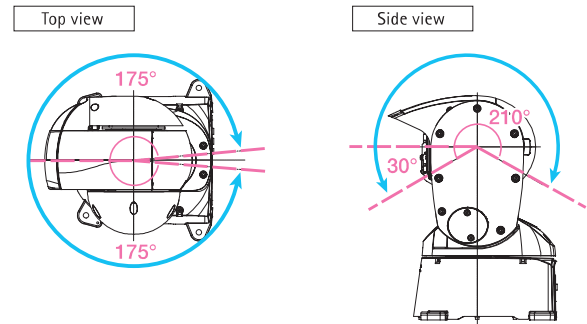
### Other Intelligent Functions

- Auto Iris Control
- Auto Digital Shutter
- Auto ND Filter

## Exceptional Pan-Tilt mechanism performance for smooth moves

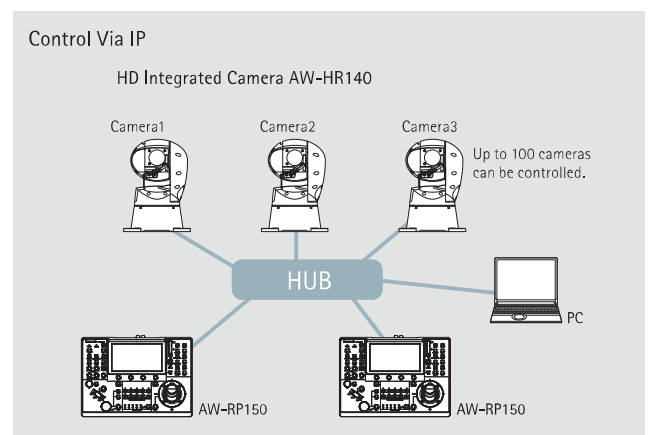
Thanks to a highly evolved pan-tilt design, the AW-HR140 achieves smoother and more natural movement during on-air shots. The pan-tilt head also has a wide shooting range\*, with a pan range of  $\pm 175^\circ$  and a tilt range of  $-30^\circ$  to  $210^\circ$ . The newly developed pan-tilt drive provides high-speed operation at maximum  $60^\circ/s$ , excellent response to remote control operation, and highly precise stop control. These features combine to accurately capture fast-action sports scenes or smooth concert footage. The camera also achieves the low noise level during operation, at NC45 or less at a pan-tilt speed of  $60^\circ/s$ .

\* Depending on the position of the pan and tilt, its own unit may be reflected in the image.



## Flexible IP Control Architecture Simplifies System Design and Operation

Up to 100 x AW-HR140 cameras can be controlled via IP from a single AW-RP150, AW-RP60\*, or PC. An AW-HR140 can also be simultaneously controlled by up to five AW-RP150 or AW-RP60\*'s via IP.

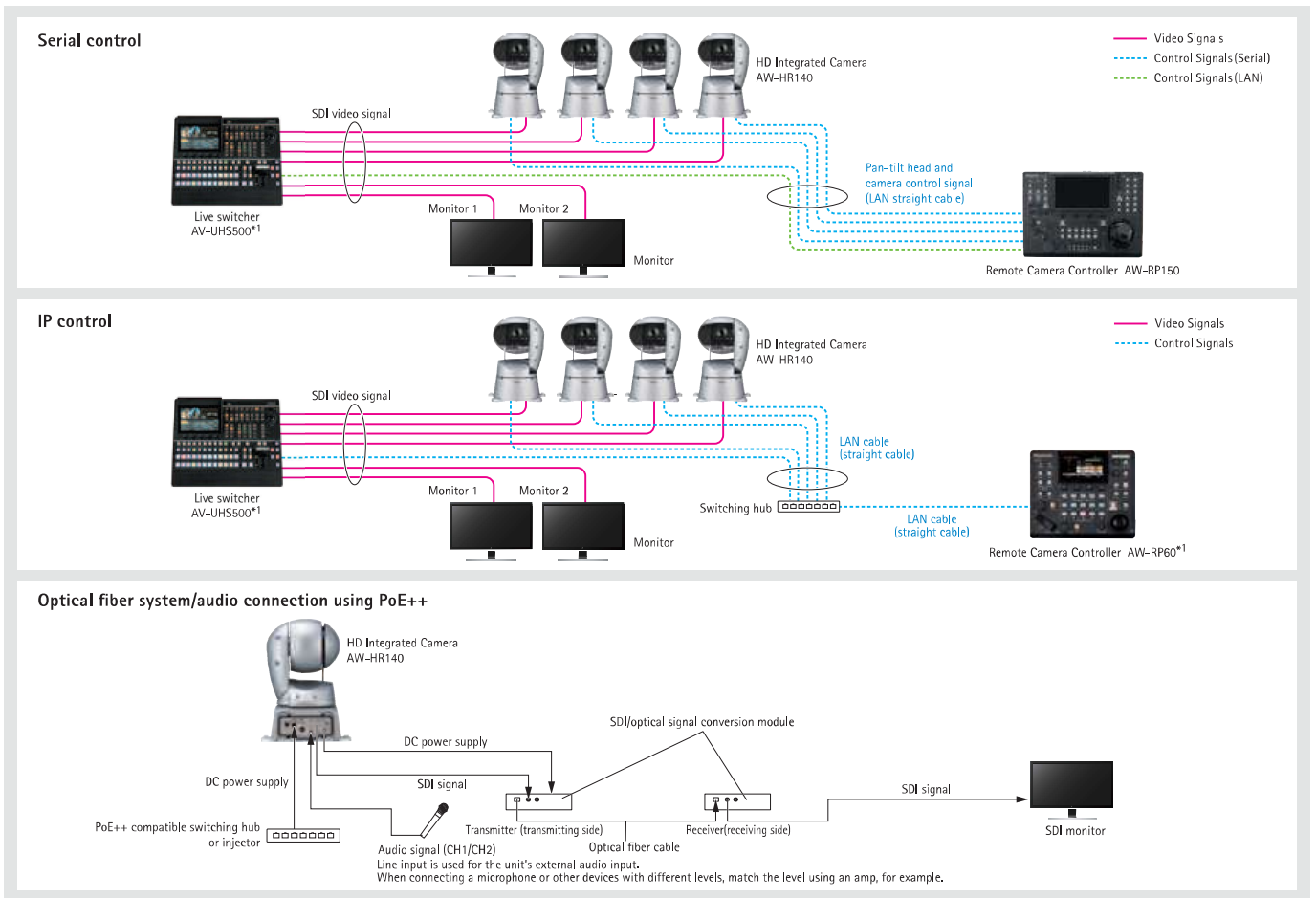


\*Use may require a software version update.

## Other functions

- RS422 remote terminal allows up to five units to be controlled via serial control from a controller
- Audio line input function
- Power can be supplied to SDI/Fiber conversion module (DC 12 V outlet)
- Preset memory can hold up to 100 positions

## System example



\*1: Use may require a software version update.

## Rear view



## System Camera Option

As of April, 2022

<p><b>Remote Camera Controller AW-RP150</b></p> <ul style="list-style-type: none"> <li>● A separate AC adaptor or PoE+ HUB is required for power supply.</li> </ul>	<p><b>Remote Camera Controller AW-RP60*1</b></p> <ul style="list-style-type: none"> <li>● A separate AC adaptor or PoE HUB is required for power supply.</li> </ul>	<p><b>Live Switcher AV-UHS500*1</b></p>	<p><b>Remote Operation Panel (ROP) AK-HRP1010GJ*1</b></p> <ul style="list-style-type: none"> <li>● A separate PoE HUB is required for power supply.</li> </ul>	<p><b>Remote Operation Panel (ROP) AK-HRP1015GJ*1</b></p> <p>Not available in some areas.</p> <ul style="list-style-type: none"> <li>● A separate PoE HUB is required for power supply.</li> </ul>	<p><b>Remote Operation Panel (ROP) AK-HRP250G</b></p> <ul style="list-style-type: none"> <li>● AC adaptor is required separately.</li> </ul>
---------------------------------------------------------------------------------------------------------------------------------------------------------------------	---------------------------------------------------------------------------------------------------------------------------------------------------------------------	-----------------------------------------	----------------------------------------------------------------------------------------------------------------------------------------------------------------	----------------------------------------------------------------------------------------------------------------------------------------------------------------------------------------------------	----------------------------------------------------------------------------------------------------------------------------------------------

\*1: Use may require a software version update. Support for connection to the AK-HRP1010GJ is planned in future. Please refer to the Panasonic website ([https://pro-av.panasonic.net/en/products/compatibility\\_chart/](https://pro-av.panasonic.net/en/products/compatibility_chart/)).

## GUI screen that enables the subject of multiple PTZ Cameras to be switched with a single click of an icon

Visual Preset Software Key  
AW-SF300

90-day Free Trial Available  
Free trial  
<https://pro-av.panasonic.net/en/software/aw-sf300/>



AW-SF300 Main View

- GUI screens can be set for each shooting location and Preset Groups with registered subject positions can be managed.
- All cameras registered in a group can be directed toward the subject with a single press of the Preset Group icon on the GUI screen.
- Camera positions are displayed as icons on the GUI screen. The icons of cameras in the currently selected Preset Group are highlighted, enabling the user to see which cameras are shooting at a glance.
- Operation using a PC mouse and GUI screen provides ease of use for users who are unfamiliar with the operation of video equipment.

\* EasyIP Setup Tool Plus is included with this product and does not need to be installed separately. \* PTZ Control Center must be downloaded before using this product.

## Control multiple PTZ Cameras from PC

PTZ Control Center Free software

- Video can be checked during centralized management of multiple cameras.
- Camera control enabled via GUI for image quality adjustment, pan, tilt, zoom, etc. Touch panel operations are supported.
- Clicking the preset button attached to thumbnails enables simple recall of presets.
- Pan, tilt, zoom and other operations can also be controlled using game controllers made by other companies.



Main screen

## Software that converts PTZ camera on your network into Super Web cam

PTZ Virtual USB Driver Free software

- Remote cameras on the network can be used as USB cameras for simple execution of web meetings with high image quality.
- Camera controls such as image quality adjustment and pan/tilt/zoom can be operated from the GUI.
- Up to five cameras can be registered.
- Automatic detection of connected cameras and network settings enabled.
- Linking with the video recording and distribution service Panopto enables camera operation through the Panopto GUI.

\* For further information on Panopto, please visit Panopto Website < <https://www.panopto.com> >.

## Freeware to support efficient setup and operation of PTZ Cameras

EasyIP Setup Tool Plus Free software

- Panasonic PTZ Cameras connected to a PC are detected and centralized display and management of camera information such as IP addresses and version numbers can be performed.
- The network setting information of specific PTZ Cameras can be modified from the GUI screen.
- PTZ Cameras can be selected and controlled from a browser GUI.
- Auto IP: Multiple PTZ Cameras can be selected and assigned consecutive IP addresses.
- Firmware Update: PTZ Camera firmware updates can be performed automatically through the tool.\*1



Connected camera information can be checked at a glance on the main screen

\*1: PC must be connected to the internet. \* This product is included with the AW-SF300 Visual Preset Software Key and PTZ Control Center and does not need to be installed separately.

\* For further information, please see < [https://pro-av.panasonic.net/en/products/ptz\\_camera\\_systems.html](https://pro-av.panasonic.net/en/products/ptz_camera_systems.html) >.

Operation-verified 3rd party devices

As of April, 2022

[GeoVision]



Gigabit BT PoE++ Adapter  
GV-PA902BT

\* Operation-verified in Aug. 2020

[PLANET Technology Corp.]



Layer 3 8-Port 10/100/1000T  
802.3bt PoE + 2-Port  
10/100/1000T + 2-Port 10G SFP+ Managed Switch  
GS-5220-8UP2T2X

\* Operation-verified in Oct. 2018

[NETGEAR]



8x1G Ultra90 PoE++ 802.3bt  
720W 2x1G and 2xSFP+  
Managed Switch  
M4250-10G2XF-PoE

\* Operation-verified in Mar. 2021

See the Panasonic website for information on compatible third-party equipment. <https://pro-av.panasonic.net/en/products/aw-hr140/>

### Third-Party Inquiries

- GeoVision Inc. (TEL) +886-2-8797-8376 (Email) [sales@geovision.com.tw](mailto:sales@geovision.com.tw)
- PLANET Technology Corp. <https://www.planet.com.tw/en> (Email) [sales@planet.com.tw](mailto:sales@planet.com.tw)
- NETGEAR, Inc <http://www.netgear.com/home/contact-us/>

## Specifications

GENERAL	
Power Requirements	DC 12 V to 21.8 V (DC IN connector) DC 42 V to 57 V (PoE++ power supply)
Current Consumption	3.1 A to 5.5 A (DC IN connector) 1.2 A (PoE++ power supply)
Ambient Operating Temperature	-15 °C to 45 °C (5 °F to 113 °F) (preheating is required when -5 °C (23 °F) or less)
Ambient Operating Humidity	10% to 100% (no condensation)
Storage Temperature	-20 °C to 55 °C (-4 °F to 131 °F)
Storage Humidity	10% to 95% (no condensation)
Mass	Approx. 9.0 kg (19.84 lb)
Dimensions (W x H x D)	258 mm x 357 mm x 397 mm (10-5/32 inches x 14-1/16 inches x 15-5/8 inches) (including protrusions and cable cover)
Finish	Silver, salt resistant coating
Waterproof and Dust Proof	IP65 compliant
Maximum Permissible Wind Speed	15 m/sec: Operates normally 50 m/sec: Operation possible 60 m/sec: No damage
Wiper	Installed as standard
Heater	Installed as standard
Defroster	Installed as standard
Controller Supported	AW-RP150, AW-RP60, AK-HRP1010GJ*1, AK-HRP1015GJ (Not available in some areas), AK-HRP250GJ • It may be necessary to upgrade the version of the controller in order to support the unit. For details on upgrading, visit the support page on the following website. < <a href="https://pro-av.panasonic.net/">https://pro-av.panasonic.net/</a> >
Camera Unit	
Imaging Sensors	1/2.86-type Full-HD 3MOS
Lens	Optical 20x zoom/10x digital zoom, F1.6 to F3.4 (f=4.5 mm to 90 mm; 35 mm equivalent: 32.13 mm to 642.5 mm)
Focus	Switching between auto and manual
Focus Distance	Entire zooming range: 800 mm (2.62 ft) Wide end: 400 mm (1.31 ft)
Color Separation Optical System	3MOS
Minimum Illumination	2 lx (50 lRE, F1.6, 36 dB, without accumulation)
Horizontal Resolution	1000 TV Lines Typ (Center area)
Gain Selection	Auto, 0 dB to 42 dB (1 dB steps) 37 dB to 42 dB is Super Gain Mode
Frame Mix	0 dB, 6 dB, 12 dB, 18 dB, 24 dB • This cannot be configured when the format is 1080/29.97p, 1080/23.98p, 1080/29.97PsF, 1080/23.98PsF, 1080/25p, or 1080/25PsF. • When [Iris Mode] or [Focus Mode] is set to [Auto], this cannot be set to 18 dB or 24 dB.
Electronic Shutter Speed	59.94p/59.94i 1/100, 1/120, 1/250, 1/500, 1/1000, 1/2000, 1/4000, 1/10000 29.97p 1/30, 1/60, 1/120, 1/250, 1/500, 1/1000, 1/2000, 1/4000, 1/10000 23.98p 1/24, 1/60, 1/120, 1/250, 1/500, 1/1000, 1/2000, 1/4000, 1/10000 50p/50i 1/60, 1/120, 1/250, 1/500, 1/1000, 1/2000, 1/4000, 1/10000 25p 1/25, 1/60, 1/120, 1/250, 1/500, 1/1000, 1/2000, 1/4000, 1/10000
Synchro Scan	59.94 Hz 60.15 Hz to 642.21 Hz (255 steps) 50 Hz 50.15 Hz to 535.71 Hz (255 steps)
Gamma	HD, FILMLIKE1, FILMLIKE2, FILMLIKE3 0.30 to 0.75 (Manual setting)
White Balance	AWB A, AWB B, ATW, 3200K, 5600K, VAR (2000K to 15000K)
Chroma Amount Variability	OFF, -99% to 40%
Scene File	Scene1, Scene2, Scene3, Scene4
Intelligent Functions	Auto function for each of accumulation, gain, iris, electronic shutter, ND, and ATW
Output Format	1080/59.94p, 1080/29.97p*2, 1080/23.98p*3, 1080/59.94i, 1080/29.97PsF*4, 1080/23.98PsF*4, 720/59.94p, 1080/50p, 1080/25p*2, 1080/50i, 1080/25PsF*4, 720/50p

\*1: Support for connection to the AK-HRP1010GJ is planned in future. Please refer to the Panasonic website ([https://pro-av.panasonic.net/en/products/compatibility\\_chart/](https://pro-av.panasonic.net/en/products/compatibility_chart/)). \*2: Native output \*3: Over 59.94i output \*4: For 1080/25PsF, 50i may be displayed on the monitor screen. Furthermore, for 1080/23.98PsF and 29.97PsF, 59.94i may be displayed on the monitor screen. \*5: Use of an STP (shielded twisted pair) cable is recommended. • When connecting directly to a controller without an Ethernet hub, use a cross cable.

\*Specifications are subject to change without notice.

## Computer requirements

CPU	Intel® Core™ 2 DUO 2.4 GHz or more recommended
Memory	For Windows 1 GB or more (2 GB or more for 64-bit editions of Microsoft® Windows® 10, Microsoft® Windows® 8.1, Microsoft® Windows® 8, and Microsoft® Windows® 7) For Mac 2 GB or more
Network function	10BASE-T or 100BASE-TX port × 1
Image display	Resolution: 1024 × 768 pixels or more Color generation: True Color 24-bit or more
Supported operating systems and web browsers	For Windows Microsoft® Windows® 10 Pro 64-bit / 32-bit *1 Windows® Internet Explorer® 11.0*1 *3 Microsoft® Windows® 8.1 Pro 64-bit / 32-bit *1 Windows® Internet Explorer® 11.0*1 *3 Microsoft® Windows® 8 Pro 64-bit / 32-bit *1 Windows® Internet Explorer® 10.0*1 *3 Microsoft® Windows® 7 Professional SP1 64-bit / 32-bit *2 Windows® Internet Explorer® 11.0 / 10.0 / 9.0 / 8.0 *3 For Mac OS X 10.11 Safari 9.0 / OS X 10.10 Safari 8.0.4 / OS X 10.9 Safari 7.0.2 / OS X 10.8 Safari 6.1.2 For iPhone For iPad iOS Standard web browsers For iPod touch For Android Android OS Standard web browsers
Other	Adobe® Reader® (for viewing the operating instructions available on the website)

\*1 Use the desktop version of Internet Explorer. (Internet Explorer for Modern UI is not supported.) \*2 Windows® XP compatibility mode is not supported. \*3 The 64-bit version of Internet Explorer® is not supported.

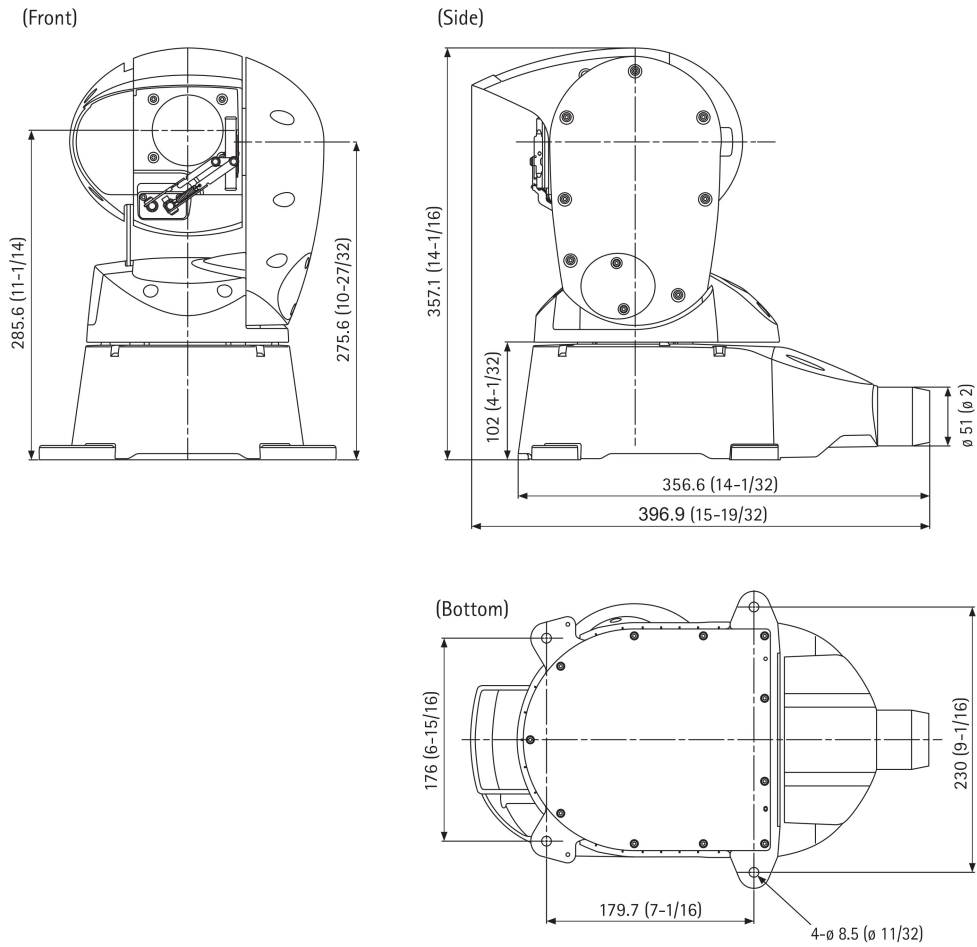
• For the latest information on OS/browser support, please refer to the "PASS" through the Panasonic website (<https://pro-av.panasonic.net/en/>).

• Microsoft®, Windows®, Windows® 7, Windows® 8, Windows® 8.1, Windows® 10 and Internet Explorer® are either registered trademarks or trademarks of Microsoft Corporation in the United States and other countries.

• Apple, Mac, OS X, iPhone, iPod Touch, iPad, and Safari are registered trademarks of Apple Inc., in the United States and other countries.

• Android™ is a trademark of Google Inc.

Synchronization System	
Synchronization System	Internal/External synchronization (BBS/Tri-level sync)
Input impedance	High impedance
Input	<ul style="list-style-type: none"> <li>2 channels, XLR balanced input</li> <li>Input signal level: +4 dBu/0 dBu/-20 dBu (selectable in menu)</li> <li>Volume variable range: -40 dB to +12 dB (can be changed in 1 dB steps in the menu)</li> </ul>
Line Input <AUDIO IN(1/2)>	<ul style="list-style-type: none"> <li>4 channels, superimposed over SDI output</li> <li>Embedded audio output level: FS-12 dB: -12 dBFS, FS-18 dB: -18 dBFS, FS-20 dB: -20 dBFS (selectable in menu)</li> <li>Sampling frequency: 48 kHz (synchronized to video)</li> <li>Quantization bit rate: 24-bit (LPCM)</li> <li>Audio compression format (IP): G.726, AAC-LC (High quality)</li> </ul>
Output	
Input	
12V IN	XLR connector
G/L IN	BNC connector • BBS (Black Burst Sync), tri-level sync supported
Input Connector	Audio input mini XLR connector (line input) #1: INPUT1 Common, #2: INPUT1 HOT, #3: INPUT1 COLD, #4: INPUT2 Common, #5: INPUT2 HOT, #6: INPUT2 COLD
Output	
Video Output	3G/HD-SDI OUT SMPT424M/SMPT292M / 75 Ω (BNC × 1) • Level-A/Level-B supported • OSD output is possible from the SDI OUT 1/PM connector but not from the SDI OUT 2 connector.
Input/Output	
Input/Output Connector	LAN LAN connector for IP control/video output/audio output/PoE++ power supply PoE++ (IEEE802.3bt Draft ver.2.0 standard) RS-422 CONTROL IN RS-422A EXT #1: DC GND, #2: HOT, #3: COLD, #4: 12V-OUT
Pan-tilt Head Unit	
Installation Method	Stand-alone (Desktop) or suspended (Hanging) • To ensure safety, the unit must be secured using the mount bracket supplied.
Camera/Pan-tilt Head Control	IP connecting cable • When connecting through a PoE++ hub: LAN cable*5 (category 5e or above, straight cable), max. 100 m (328 ft) • When a PoE++ hub is not used: LAN cable*5 (category 5e or above, straight cable) max. 100 m (328 ft) AW series connecting cable/standard protocol connecting cable LAN cable*5 (category 5e or above, straight cable), max. 1000 m (3280 ft)
Pan/Tilt Operation Speed	Maximum speed 60°/s or higher
Panning Range	±175° • For suspended installations, the positions of the pins that determine the movement range must be changed.
Tilting Range	-30° to 210° • Depending on the pan or tilt position, the camera may be reflected in the image. • For suspended installations, the positions of the pins that determine the movement range must be changed.
Quietness	60°/s (NC45 or less)
Vibration Correction	D.I.S.S. (Dynamic Image Stabilizing System)
Accessories	Hexagonal bolt M8 × 30 mm: 4 M8 washer: 4 Spring washer: 4 Cable cover: 1 Washer nozzle mount bracket: 1 Drop-prevention wire: 1 Drop-prevention wire mounting screw (with hexagonal socket, for unit) M4 × 10 mm: 1



\* The terms HDMI and HDMI High-Definition Multimedia Interface, and the HDMI Logo are trademarks or registered trademarks of HDMI Licensing Administrator, Inc. in the United States and other countries.  
 \* "YouTube" and the "YouTube logo" are registered trademarks of Google Inc.  
 \* "Facebook" is a registered trademark of Facebook, Inc.

# Panasonic®

Panasonic Connect Co., Ltd.  
 2-15 Matsuba-cho, Kadoma, Osaka 571-8503 Japan



For more information, please visit Panasonic web site  
<https://pro-av.panasonic.net/en/qr/>



Factories of Panasonic Connect Co., Ltd. have received ISO14001:2015-the Environmental Management System certification. (Except for 3rd party's peripherals.)



Broadcast and Professional AV Website



Contact Information



Facebook



Mobile App