



Universal Host™

DESKTOP DIGITAL HYBRID



FEATURES

- 16 bit USB Audio CODEC
- Excellent separation of caller and talent voice
- 16 bit DSP technology
- Proprietary auto null algorithm, 50 dB null
- XLR input (mic/line switch)
- 3.5 mm line input
- XLR caller output
- 3.5 mm line output
- 3.5 mm headphone jack, source selector switch
- Send & Caller LEDs
- Switch selects between electret, dynamic, and carbon handset types

Universal Host easily converts your IP or PBX telephone into a professional, affordable interview station. This desktop digital hybrid provides talk show quality caller audio from most telephone systems. Simply connect between your telephone handset and the base of your telephone.

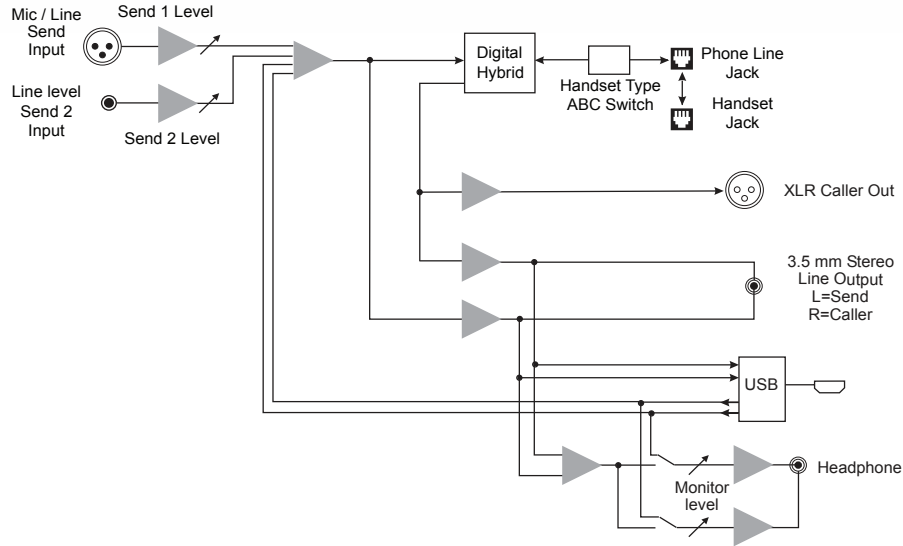
Talk Show Quality Interviews: Connect a professional dynamic mic and headphones to Universal Host to capture your voice in full audio bandwidth, while maintaining excellent separation between your voice and the caller.

Conference Room: Easily connect your PA system to the existing IP or PBX telephone system. The echo canceller algorithm prevents feedback and allows full duplex conversations.

The 16 bit USB audio CODEC allows stereo recording at up to 48 kHz sampling rate, with the talent voice on the left channel in full bandwidth, and the caller on the right. Play recordings from your computer directly into the phone system.

The digital hybrid connects audio signals to your IP or PBX type telephone system through the telephone handset cord. The Digital Signal Processor (DSP) continuously monitors both transmit and receive audio signals to deliver excellent separation. This proprietary, dual-convergence echo canceller algorithm can achieve excellent separation without any setup, and without sending a noise burst down the line.

Universal Host provides connections for a microphone, headphones, mixer, sound card, and telephone handset. The stereo output jack on the back of the unit provides your voice on one channel and only the caller's voice on the other channel. The balanced XLR output jack contains only the caller's voice. The Handset and Online buttons select between talking on the handset, or sending and receiving through the audio connections. A second switch selects between monitoring the caller or listening to the USB CODEC over the headphones.



Specifications

	Input		Output		
	Mic / Line Balanced Female XLR	Line 3.5 mm mono	Balanced Male XLR	Unbalanced 3.5mm Stereo	Headphone 3.5mm Stereo
Impedance:	1 k ohms	20k ohms	200 ohms	50 ohms	8 ohms
Level:	15 mV RMS (-34 dBu) nom Mic/Line pad switch = +6 dBu max	250 mV RMS (-10 dBu nom)	500 mV RMS (-4 dBu) nom +14 dBu max Caller Only	250 mV RMS (-10 dBu) nom +6 dBu max Left = Send Right = Caller	1/2 watt per channel

Handset:	RJ22 4P4C	Size:	7" x 6" x 1.6" (18 x 15 x 4.2 cm)								
Phone Base:	RJ22 4P4C	Weight:	2.2 pounds								
Handset Type:	Switch selects electret, dynamic, or carbon handset microphone types	<table border="1"> <thead> <tr> <th colspan="2">USB</th> </tr> </thead> <tbody> <tr> <td>Connector:</td> <td>Mini Type B female</td> </tr> <tr> <td>Standard:</td> <td>v2.0</td> </tr> <tr> <td>Sampling Rates:</td> <td>32kHz, 44.1 kHz, 48 kHz</td> </tr> </tbody> </table>		USB		Connector:	Mini Type B female	Standard:	v2.0	Sampling Rates:	32kHz, 44.1 kHz, 48 kHz
USB											
Connector:	Mini Type B female										
Standard:	v2.0										
Sampling Rates:	32kHz, 44.1 kHz, 48 kHz										
Isolation:	1500 VAC										
Power:	120-240 VAC power supply.(included)										
Frequency Response:	Telephone side 200 Hz - 3600 Hz										