

datavideo



Robotic Pan Tilt Head
PTR-10/ PTR-10T
MARKII



Max. Camera Weight
4kg

Aluminum
Frame

www.datavideo.com

Transform any standard camera into a professional broadcast PTZ camera

PTR-10 MARK II

Robotic Pan Tilt Head

PTR-10T MARK II

HDBaseT Robotic Pan Tilt Head





Datavideo' s brand-new PTR-10 Mark II is a robotic pan-tilt head that is designed to turn any small size video camera or block cameras into a robotic pan/tilt/zoom camera.

A sleek design fits seamlessly in your studio. With its weight of 3.4 Kg, it can be placed on any heavy-duty tripod or mounted on the wall and ceiling which brings up a lot of flexibility for your video production.

The PTR-10 Mark II can be controlled by the included IR controller, VISCA protocol controller, Datavideo RMC-180 Camera controller, RMC-300A Universal Remote-Control Panel, and compatible with DVIP over Ethernet and other integration solutions such as Crestron.

- Strong and sturdy aluminum frame
- Various interfaces: SDI, HDMI, RS-232, RS-422, DVIP/ HDBaseT, Tally, LANC
- Multiple choices of controllers: RMC-180, RMC-300A, HS-1600T, IR, DVIP and other integrations solutions
- Tally light built-in
- D-tap connector for DC output
- Selectable DC voltage output for different cameras (7.4 / 8.4 / 10 / 12V)
- Support optional Datavideo ZEK-1 Zoom Encoder Kit, to detect and read out the Zoom position of cameras on top
- Control Sony, Panasonic, Canon, JVC cameras
- Zoom, Focus, IRIS, Shutter, white balance mode, all these frequently used functions, can be easily controlled by Datavideo' s remote controllers

Cost-Effective

PTR-10(T) Mark II makes the change from regular camcorder cameras to remote controlled PTZ very cost effective. Multi camera remote operations can be handled by a single person.



Turn camcorder into PTZ

Control of Pan, Tilt, Zoom. Supports Zoom control of various brand lens. With the optional accessories, Zoom Encoder Kit (ZEK-1) is the solution to your free running Zoom cameras. ZEK-1 converts zoom information and send back for controller to memory and recall the saved zoom position.



Wide Range of Compatible Cameras Supported

The PTR-10(T) Mark II implements LanC control that is compatible with a wide range of professional video camcorders, allowing you to select the best camcorders for your needs.

Panasonic Camera



Sony Camera



Light Weight, Strong, and Sturdy design

With a weight of 3.4 kg, PTR-10(T) Mark II is built from aluminum alloy, making it a very sturdy base for your camera. It can support cameras up to 4 kilograms.



Canon Camera

JVC Camera



Diversified Controller Options

Compatible with Serial, Ethernet, and LANC. Datavideo RMC-180, RMC-300A, and HS-1600T series will fit your need.



HS-1600T



RMC-300A



RMC-180

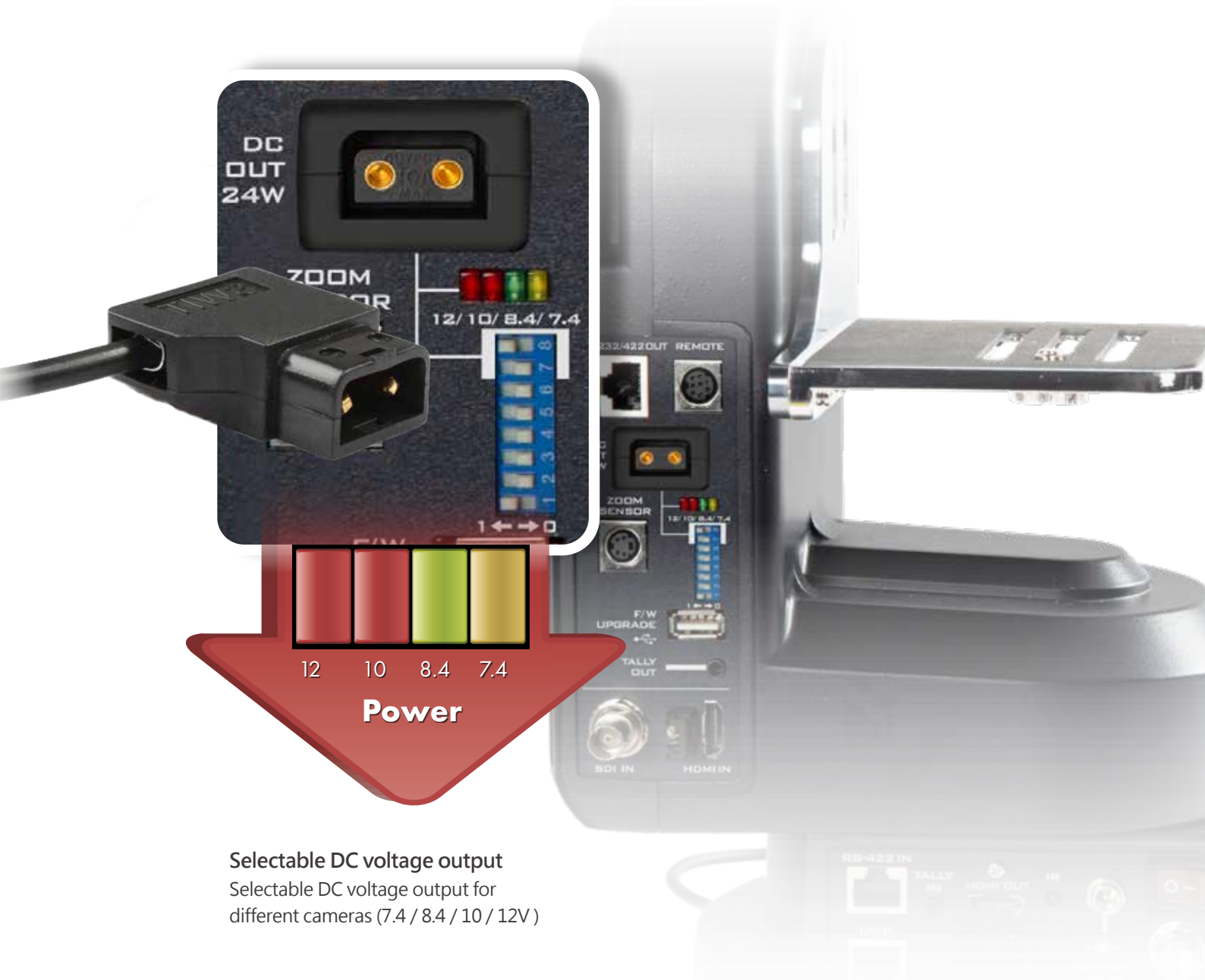
Built-in Tally light

With the big tally light in the front to show the status of your camera.



D-tap connector for DC output

The D-tap connector is widely used in the broadcast industry as a standard for powering accessories from battery or mains power. This will make it easier for you to find a ready made power cable for your specific camera. Included is a D-tap to DC 5.5mm with lock for Datavideo cameras.



Selectable DC voltage output

Selectable DC voltage output for different cameras (7.4 / 8.4 / 10 / 12V)

PTR-10 MARK II / PTR-10T MARK II Rear Panel

Remote Port :
Connect through different remote cable to control Zoom/ Focus or other functions with multiple camera brands

RS-232/422 output:
Delivers serial control signal to the camera

DC out :
DC power supply to the camera

LED indicatorsl :
The 4 LED indicates the voltage output from D-tap connector

Zoom Sensor
Connect with Datavideo ZEK-1 to detect and send back Zoom position information of the camera on top

USB Port :
for firmware upgrade

Dip Switch :
PTR-10 settings

Tally output :
Delivers tally signal to the camera

SDI Input :
Camera video IN

HDMI Input :
Camera video IN

Video In

6G-SDI
HDMI 1.4

Control Out

Remote LanC
RS-232/ RS-422

DC Out

12/10/8.4/7.4V



Multiple Signal Interface

PTR-10 Mark II series supports a lot of signal interface for passing through the remote head. Amongst these interfaces are SDI, HDMI, RS-232, RS-422, DVIP, Tally, and LANC.



Video Out

6G-SDI
HDMI 1.4
HDBaseT (10T only)

Control In

RS-422
RMC-180/ RMC-300A
DVIP
RMC-300A
HDBaseT
HS-1600T
IR Controller

DC In

DC 12V
POE(10T only)

PTR-10T MARK II

HDBaseT Control:

Connect to the HS-1600T with an Ethernet cable for camera control as well as video transmission.



PTR-10 MARK II

DVIP Control:

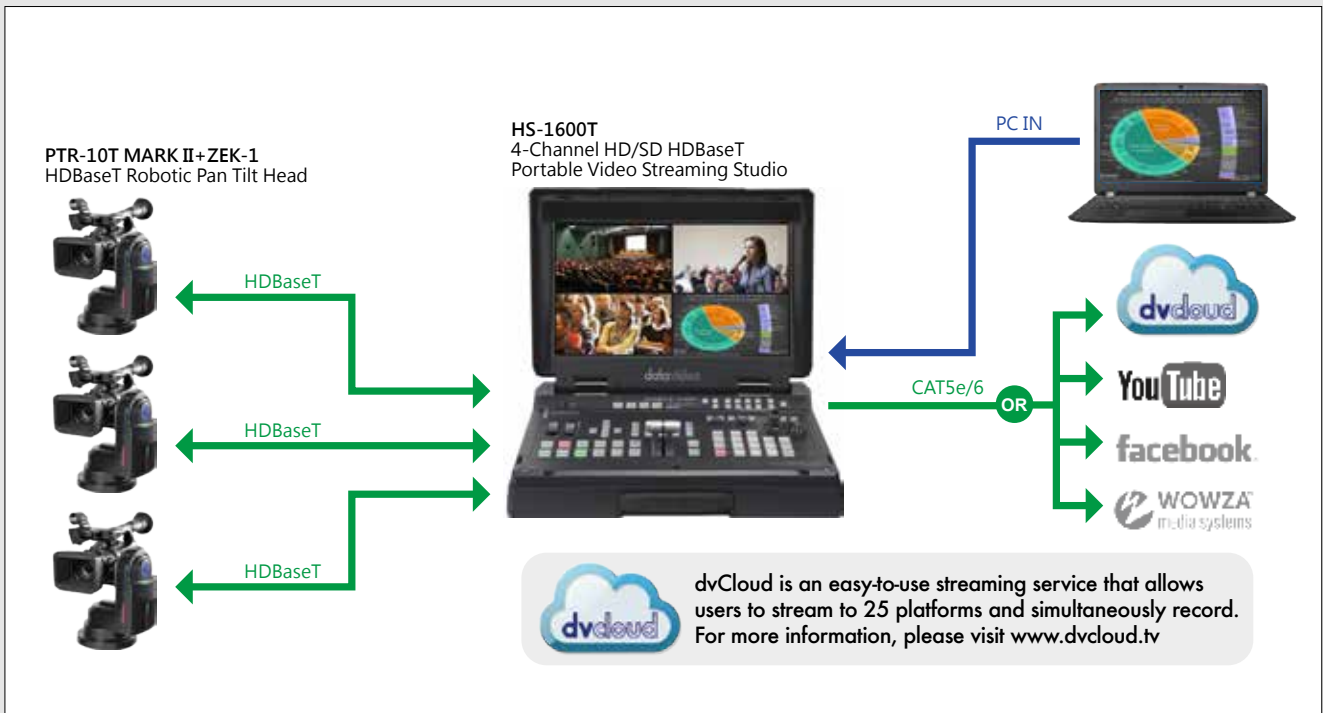
Connect to RMC-300A with an Ethernet cable for camera control.

PTR-10T MARK II+ZEK-1

HDBaseT Control

HS-1600T One Operator Solution

Pair PTR-10T With HS-1600T HDBaseT Mobile Cast Studio. A single Ethernet cable provides power, video, camera control, and tally.

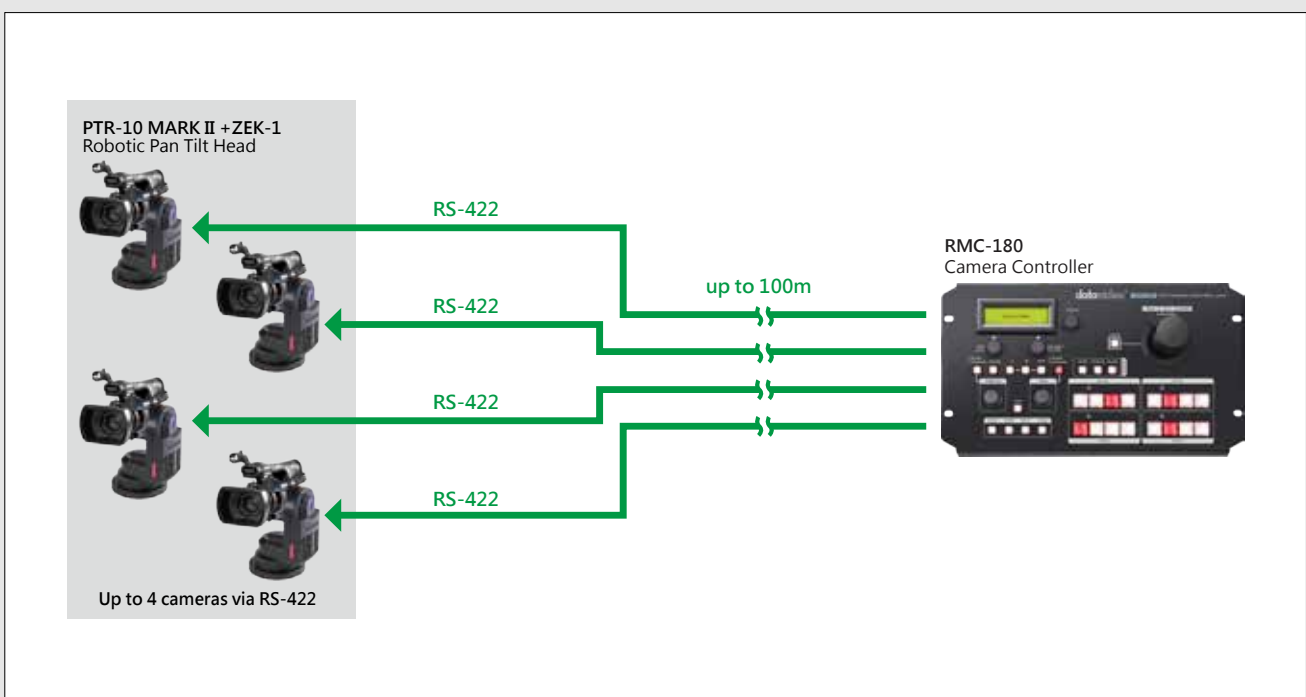


PTR-10 Mark II / PTR-10T Mark II+ZEK-1

Up to 4 cameras

RS-422 Control

Serial Control with RMC-180

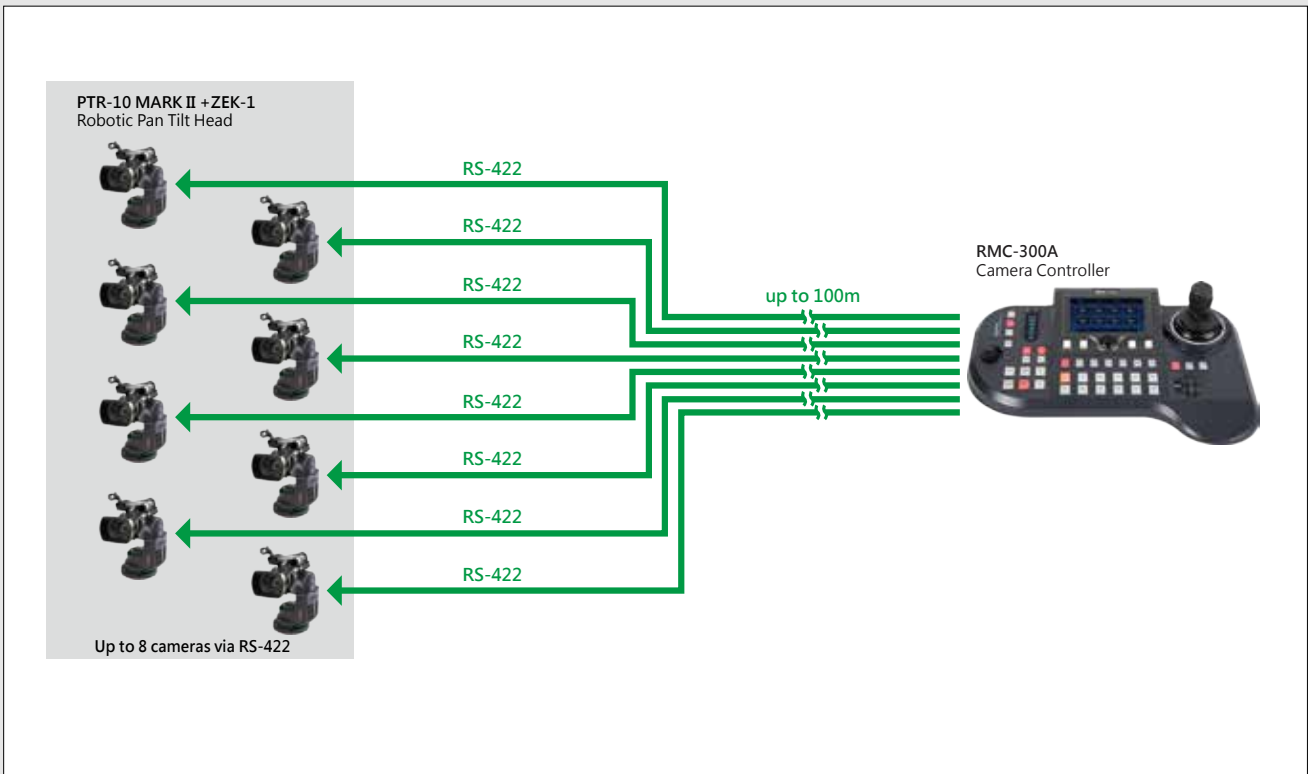


PTR-10 Mark II / PTR-10T Mark II+ZEK-1

Up to 8 cameras

RS-422 Control

Serial Control with RMC-300A

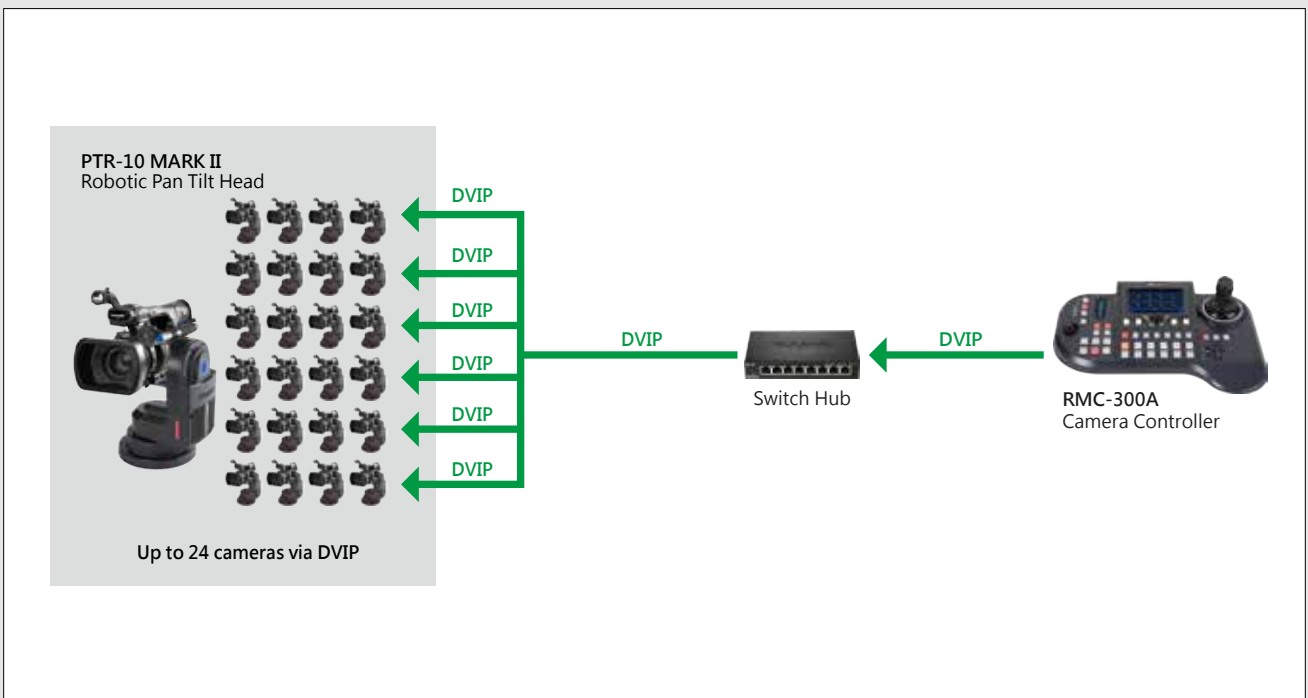


PTR-10 MARK II+ZEK-1

Up to 24 cameras

DVIP Control

DVIP Control with RMC-300A



Optional Accessories

ZEK-1

Zoom Encoder Kit

ZEK-1 is the solution to your free running Zoom cameras. PTR-10 Mark II can read its own Pan/Tilt movement and send back to controller for position memory and recall. Now, with ZEK-1, it can detect and read out the Zoom changes. And convert those information into Zoom position to send back for controller to memory and recall the saved zoom position. Compatible with cameras via zoom moving ring.



How does ZEK-1 work?

ZEK-1 can read out the rotation of the zoom ring on your camera by a little wheel that sits snug to you camera zoom ring. This gear must have a tight fit and the same thread as your camera lens. Standard it's equipped with M0.8 gearing, which is the standard in most lenses. In some cases, M0.6 is used so an extra gear is included. In other cases, when your camera doesn't have a threaded zoom lens, you can use a belt with M0.8 or M0.6 gearing. gear design.



Camera Mount Plate

The larger mounting plate from ZEK-1 gives more space for you to mount the camera



M0.6 Gear

If you are using Cameras with M0.6 gears on the zoom ring (ex: Sony X200), the additional M0.6 gear can directly match with the Lens



Metal Bar & Bar Holder

The metal bar holds the zoom encoder in place.

Zoom Encoder(M0.8 gear)

The gear should engage with the camera's zoom ring and the 4-pin mini-DIN connector should be connected to the Zoom Sensor port on the PTR-10/10T MARK II.



Gear Ring Belt designed for M0.8 gear

Wrap the gear ring belt around the zoom ring if your camcorder's zoom ring is neither M0.6 nor M0.8 on the PTR-10/10T MARK II.

Compatible with most cameras that have a moving zoom ring except:

- A single zoom/focus ring
- When the zoom ring is blocked by the servo motor

For more information on compatible cameras, please visit our website on www.datavideo.com

Optional Accessories

On the wall

WM-1 1

Professional Wall Mount for Robotic Pan Tilt Head



Weight of the WM-11 : 4.0 Kg
Maximum Load Weight Limit : 50 Kg

The WM-11 is a professional wall mount which is designed for Datavideo Robotic Pan Tilt Head PTR-10/PTR-10T Mark II and Datavideo PTZ camera series including PTC-150/PTC-150T. The WM-11 is made of 6063 Aluminum and 3mm carbon steel plate, making it possible to hold up to 50kg and still maintain absolute stability. The metal expanding screws included in the WM-11 package will mount the WM-11 securely to any wall. The powerful torque that drives the PTR-10(T) and the inertia that is generated by the weight of the camera demands a sturdy wall mount like WM-11. WM-11 contains multiple bubble level meters to make mounting easy.



Three bubble level meters



Strong and steady metal expansion bolts

Upside down

On the wall

WM-11

Camera Tray



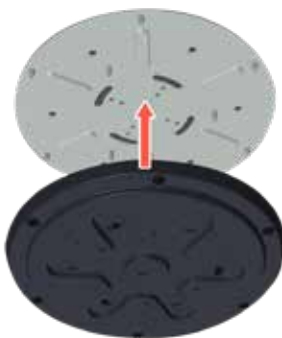
L-shaped
Bracket



On the ceiling

CM-10

Ceiling Mount



L-shaped
Bracket



Related Products

Camera Controller



RMC-300A
Universal Remote Control Panel

RMC-300A is a multi-functional Multi-camera Controller. It is able to control up to 12 PTZ and block cameras by Ethernet or up to 8 cameras by serial port RS-422 transmission.

[Intro.](#)



RMC-180
PTZ Camera Controller

RMC-180 is a PTZ camera control unit, and it simple multi-camera control at your fingertips. With its ergonomic joystick and tactile button layout, the RMC-180 makes it easy to set up and control up to four Datavideo PTZ cameras.

[Intro.](#)



Switcher Series



HS-1600T Mark II (HDBaseT only)
4-Channel HD/SD HDBaseT Portable Video Streaming Studio

The HS-1600T Mark II brings a new level of simplicity to production workflows. You'll set up faster and easier thanks to its portable "briefcase" design and HDBaseT Technology. And thanks to its built-in H.264 web streaming encoder, you can stream your show to virtually any CDN like YouTube and Facebook in no time.

[Intro.](#)



What's in the box accessories



IR remote control



DC 12V Adaptor



AC cord



D-tap to DC 5.5
with lock cable



HDMI cable



SDI cable

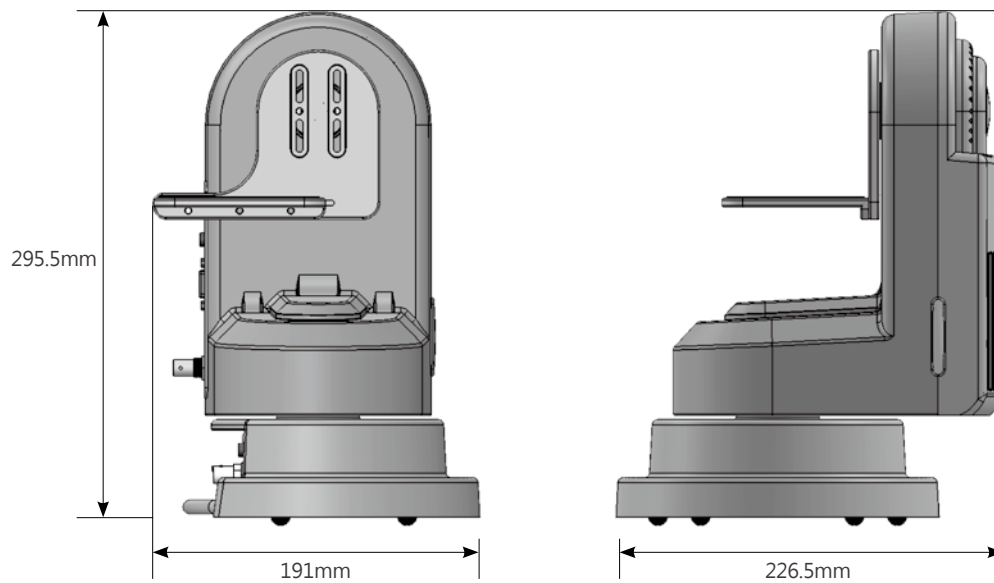


Remote cable (mini-
din 8 pin to 2.5mm
phone jack)



1/4" screws

Dimension



| Model No. | PTR-10 MARK II | PTR-10T MARK II |
|--------------------------|---|---|
| Name | Robotic Pan Tilt Head | Robotic Pan Tilt Head (HDBaseT) |
| Video Interface | HDMI x 1 SDI x 1 | HDMI x 1 SDI x 1 RJ45 x 1 (HDBaseT) |
| Video Output Format | 2160p 29.97/25 1080p 59.94/50 1080i 59.94/50 720p 59.94/50 | 2160p 29.97/25 1080p 59.94/50 1080i 59.94/50 720p 59.94/50 |
| Control Unit | RMC-180 RMC-300A RMC-300C VISCA Protocol Controller IP Control IR remote | RMC-180 HS-1600T HS-1600T Mark II RMC-300A VISCA Protocol Controller IP Control IR remote |
| Panning / Tilting Range | Pan: 340° Tilt: ±45° | Pan: 340° Tilt: ±45° |
| Panning / Tilting Speed | Pan: 0.2~15° /Sec Tilt: 0.1~10° /Sec | Pan: 0.2~15° /Sec Tilt: 0.1~10° /Sec |
| Preset | Pan/Tilt position 50 | Pan/Tilt position 50 |
| Control Distance | 1,200M by RS422 100M by DVIP | 1,200M by RS422 100M by HDBaseT |
| Control Protocol | Sony VISCA DVIP | Sony VISCA DVIP |
| Control Input | RS-422 DVIP | RS-422 HDBaseT |
| Maximum Load | 4 KG Max | 4 KG Max |
| Control Output | RS-232 RS-422 BX-Lens LanC | RS-232 RS-422 BX-Lens LanC |
| Power Requirement | DC 12V~ 18V, 3A (Without Camera) DC 12V~ 18V, 5A (With Camera) | DC 12V~ 18V, 3A (Without Camera) DC 12V~ 18V, 5A (With Camera) |
| Power Supply | DC 12/10/8.4/7.4V, 24W Max | DC 12/10/8.4/7.4V, 24W Max |
| Operating Temp. Range | 0~40 C° | 0~40 C° |
| Operating Humidity Range | 10~80% | 10~80% |
| Storage Temp. Range | -10~60C° | -10~60C° |
| Storage Humidity Range | 5~80% | 5~80% |
| Weight | 3.4 kg | 3.4 kg |
| Dimension (LxWxH) | 230 x 190 x 300 mm | 230 x 190 x 300 mm |
| Optional accessories | ZEK-1 WM-10 WM-11 CM-10 | ZEK-1 WM-10 WM-11 CM-10 |



@DatavideoUSA
@DatavideoEMEA
@DatavideoTaiwan

@DatavideoAsia
@DatavideoIndia2016
@Datavideojapan



@Datavideo
@Datavideo_EMEA
@Datavideo_Taiwan



@DatavideoUSA
@DVTWDVCN



@DatavideoUSA
@DatavideoEurope

Disclaimers of Product and Services

This brochure is intended as a guide only. We reserve the right to change specifications and availability without prior notice. While we strive for complete accuracy, be aware that it may contain errors and omissions. Prior to purchase, please check with your local Datavideo office or authorised distributor.

Ver.20210108