

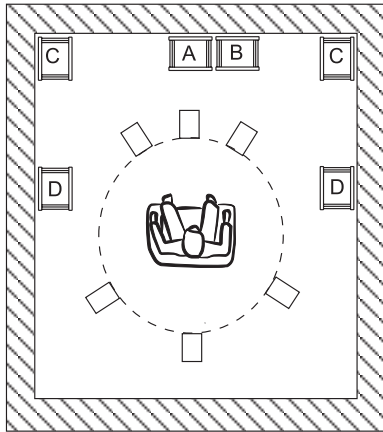
# 7000 Series

Operating Manual  
Käyttöohje

Genelec 7050C Active Subwoofer

# GENELEC®

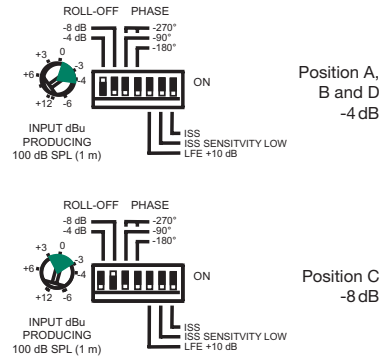




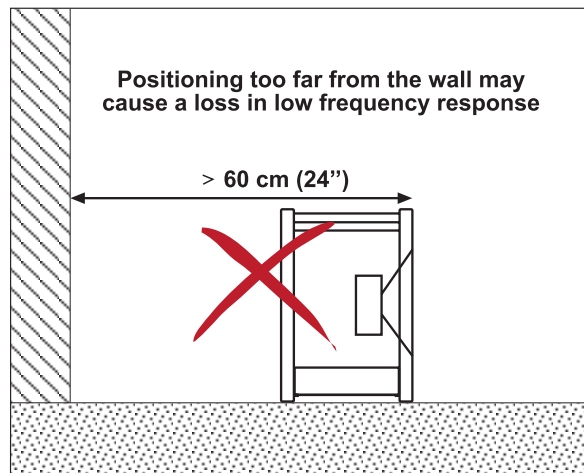
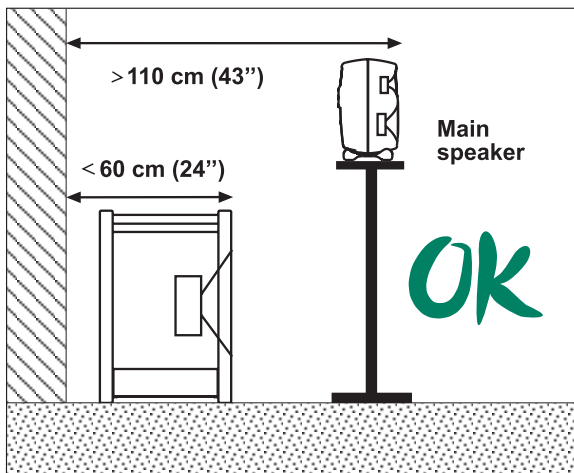
**Note:**

- 1) Positions A and B are recommended.
- 2) Position C causes a significant bass boost and may cause asymmetrical spatial imaging one subwoofer is used.
- 3) Positions C and D may also work, but may cause loss of LF when off room center axis.

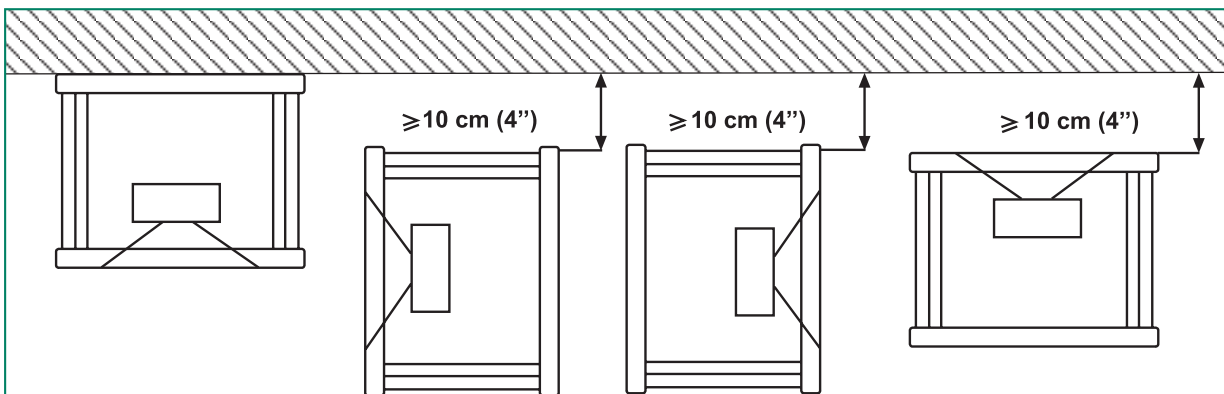
**Suggested Tone Control Settings**



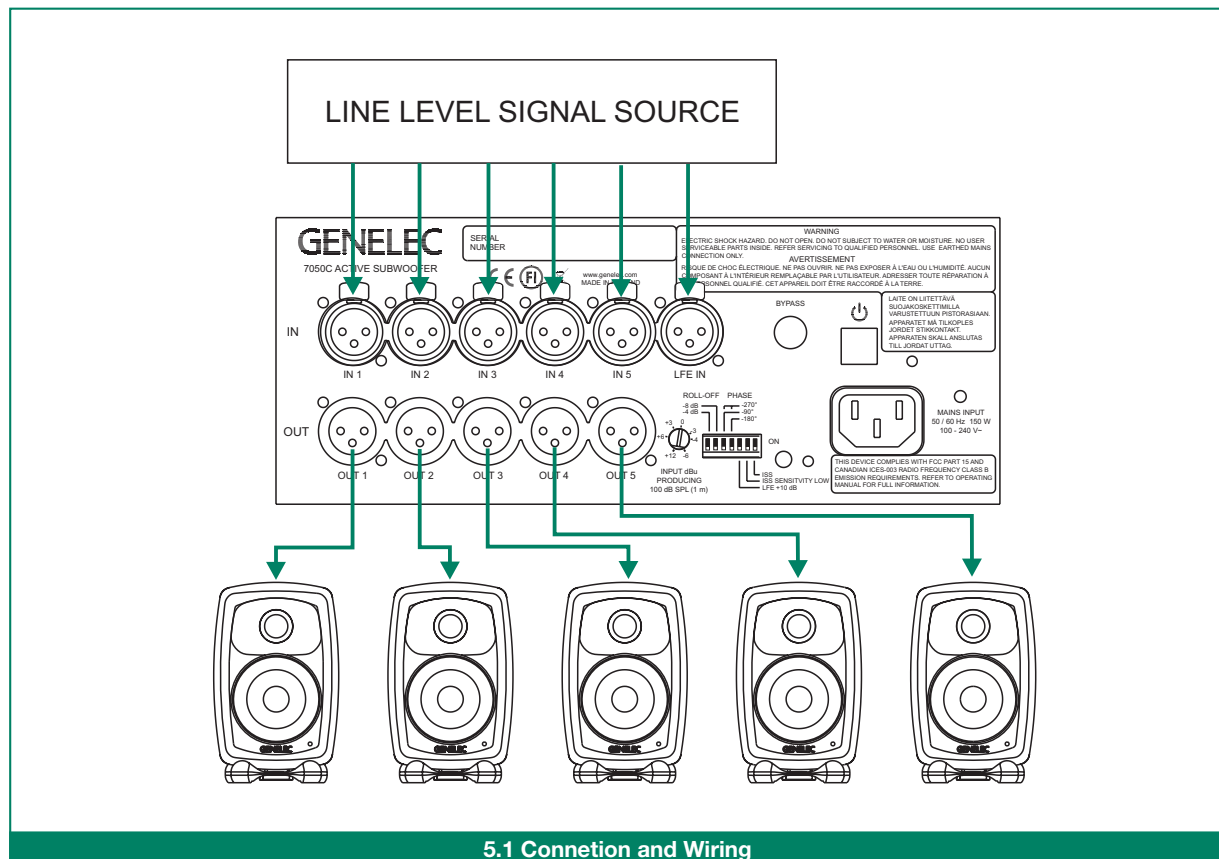
**Subwoofer Placement**



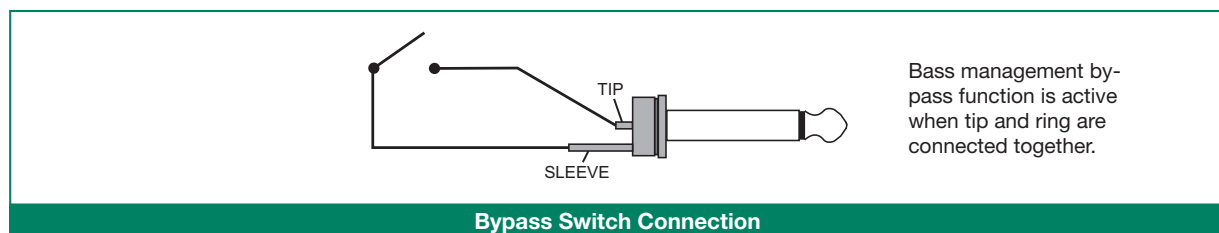
**Distance from Front Wall**



**Aligning the Subwoofer**

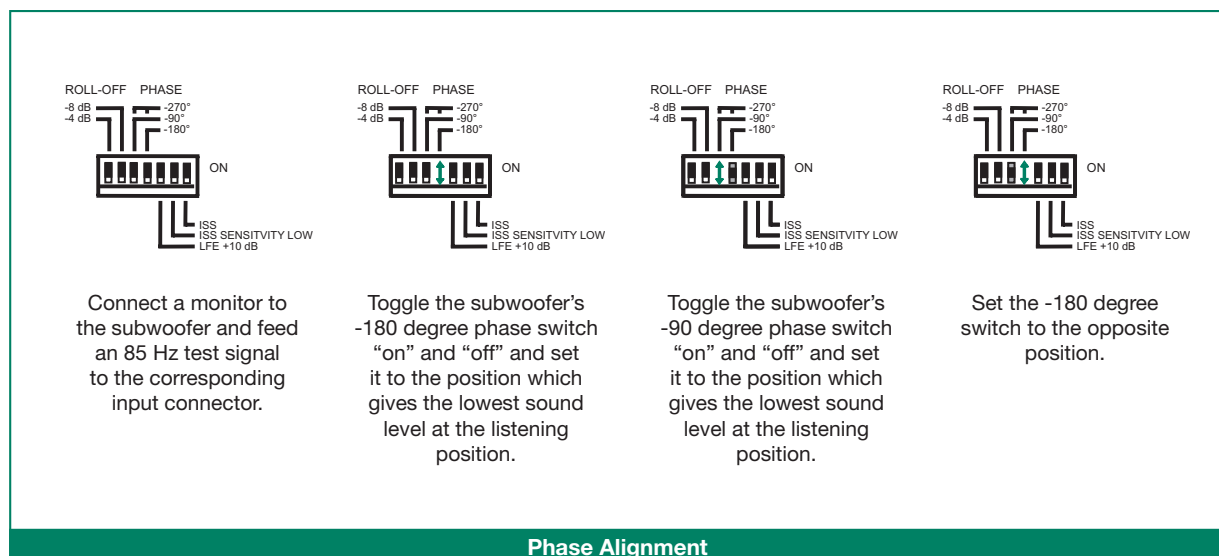


5.1 Connection and Wiring



Bass management by-pass function is active when tip and ring are connected together.

Bypass Switch Connection



Connect a monitor to the subwoofer and feed an 85 Hz test signal to the corresponding input connector.

Toggle the subwoofer's -180 degree phase switch "on" and "off" and set it to the position which gives the lowest sound level at the listening position.

Toggle the subwoofer's -90 degree phase switch "on" and "off" and set it to the position which gives the lowest sound level at the listening position.

Set the -180 degree switch to the opposite position.

Phase Alignment



## Genelec 7050C Active Subwoofer

### General Description

The Genelec 7050C active subwoofer is a very compact low frequency loudspeaker, designed to extend the bass reproduction of Genelec active loudspeakers in stereo or surround applications. Adding the 7050C to the system creates a compact nearfield monitoring system capable of a flat frequency response down to 24 Hz (-6 dB).

### Driver

The 7050C contains a single 205 mm (8 in) magnetically shielded low frequency driver, housed in a Genelec Laminar Spiral Enclosure™ (LSE™) bass reflex cabinet.

### Bass Management Unit

The built-in bass management unit has five signal input and output channels and a discrete LFE signal input.

The active crossover contained in the bass management unit splits the input signals into low and high frequency components at 85 Hz. Frequencies below 85 Hz are directed to the subwoofer and frequencies above 85 Hz to the main speakers.

The low pass section sensitivity can be adjusted from +12 dBu to -6 dBu to allow easy subwoofer level matching with various main speakers. All outputs have 0 dB passband gain.

The input sensitivity of the LFE channel can be set to 0 dB or +10 dB.

Balanced XLR connectors are used for the system audio inputs and outputs.

Two "Bass Roll-Off" switches are included to provide a flat bass response in all acoustical environments, enabling adjustments of the subwoofer response

in three -4 dB steps. Two phase matching switches in the crossover allow compensation for the delay which occurs if the subwoofer is placed away from the main speakers, or for other speaker systems phase behaviour. Four settings are provided between 0° and -270°.

### Operating Environment

This subwoofer is designed for indoor use only. The permissible ambient temperature is 15-35 degrees Celsius (50-95°F) and relative humidity 20 – 80% (noncondensing). When the product has been stored or transported in a cool environment and is taken into a warm room, wait about one hour before opening packing to prevent condensation of humidity before connecting to mains power.

### ISS™ Autostart

The automatic power saving function ISS (Intelligent Signal Sensing) can be activated by setting the "ISS" switch on the connector panel to "ON." Automatic powering down to standby mode happens after a certain time when playback has ended. The power consumption in standby mode is typically less than 0.5 watts. Playback will automatically resume once an input signal is detected from the source.

There is a slight delay in the automatic powering up. If this is undesirable, the ISS function can be disabled by setting the "ISS" switch on the connector panel to "OFF." In this mode, the subwoofer is powered on and off using the power switch on the connector panel.

The "ISS SENSITIVITY LOW" switch lowers the triggering sensitivity of the ISS function. This can be necessary if the

subwoofer "wakes up" even if there is no audio signal.

### Amplifier

The amplifier produces 130 W of output power, with very low THD and IM distortion. Driver overload protection and power-on signal muting is included in the amplifier circuitry. The amplifier also incorporates thermal overload and short circuit protection.

### Installation

The subwoofer is supplied with a mains cable and this operating manual. Once unpacked inspect the subwoofer to ensure that it has not been damaged in transport. If the subwoofer is brought in from a cold storage or transport, let it warm completely to the room temperature before making any connections. Ensure that both the subwoofer and the main loudspeakers are switched off before making any connections.

Audio connections are made with balanced XLR cables. The 7050C has IN/OUT connector pairs for five main channels and a dedicated LFE input connector for the LFE channel. Connect the signal cables from your source to the female XLR "IN" connectors on the upper connector row. Next connect XLR cables from the corresponding "OUT" male XLR connectors on the lower row to the input connectors of each main loudspeaker.

Use the "LFE IN" connector for the LFE or .1 output channel of a 5.1-channel discrete surround sound source.

Once all connections have been made, the subwoofer and main loudspeakers are ready to be powered up.

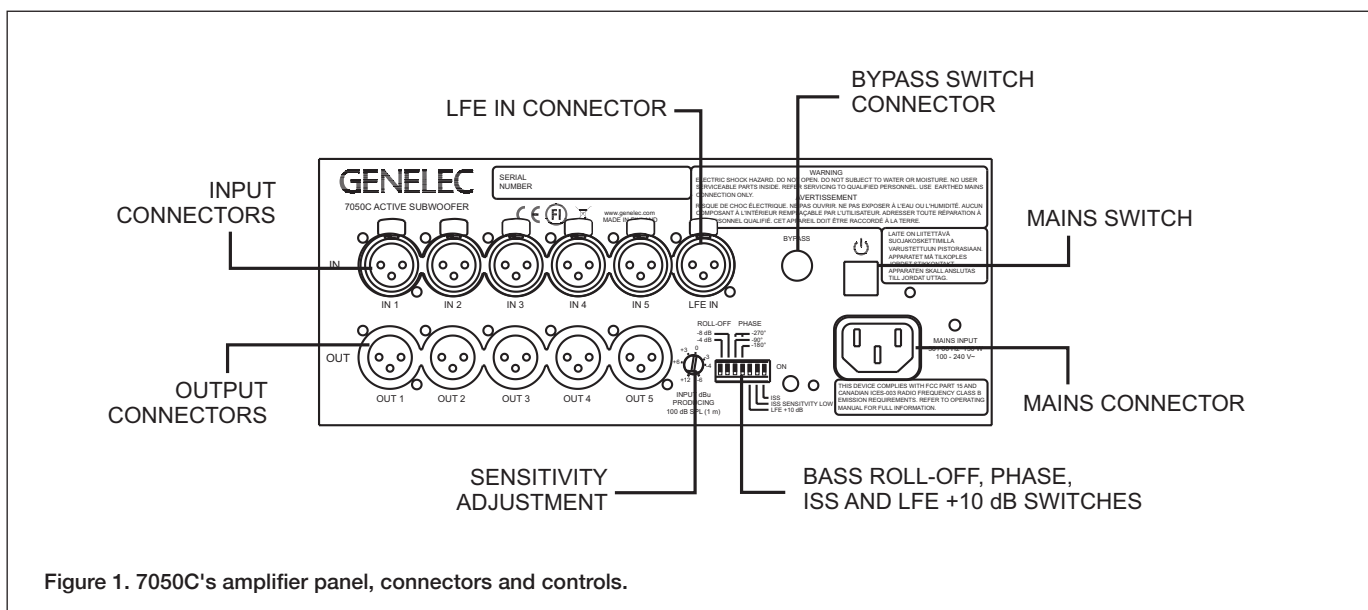


Figure 1. 7050C's amplifier panel, connectors and controls.

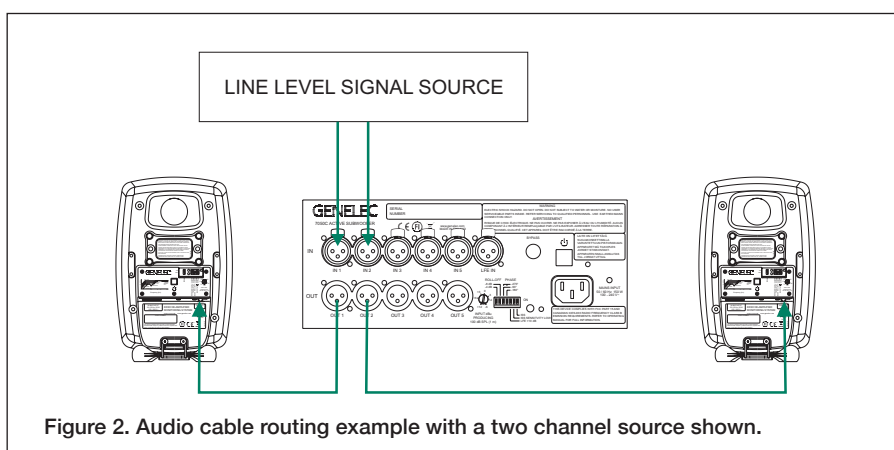


Figure 2. Audio cable routing example with a two channel source shown.

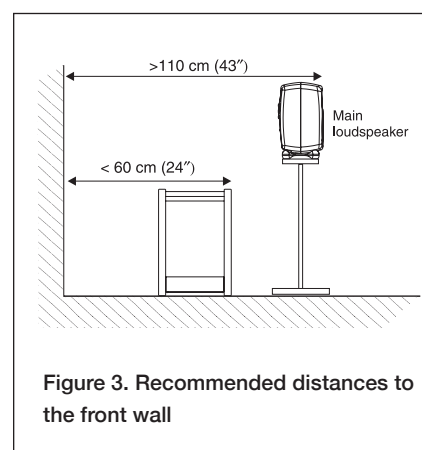


Figure 3. Recommended distances to the front wall

## Positioning In The Room

The placement of the subwoofer in the room affects the overall frequency response and sound level of the system dramatically, as at low frequencies the effects of the room are strong. Even a slight change in the subwoofer's location can make a marked difference in the frequency balance and often patient and methodical experimentation and testing is needed to find the optimum placement. The placement will affect the phase difference between the main loudspeakers and the subwoofer and the bass roll-off rate.

First place the subwoofer slightly offset from the center of the front wall. The recommended distance to the wall is less than 60 cm / 24" measured from the subwoofer's driver. This position gives increased acoustic loading (and SPL) due to the proximity of the front wall and floor. Cancellations from the front wall and floor are also avoided. Front wall cancellation for

the 85 Hz high pass filtered main speakers can be eliminated by placing them at least 110 cm / 43" away from the front wall (see Figure 3).

If the frequency balance does not seem right, try moving the subwoofer slightly to the left or right so that different room modes are excited at different levels. Positioning the subwoofer close to a corner will boost the bass level at lower frequencies and may cause asymmetrical spatial imaging.

## Minimum Clearances To Walls Or Other Objects

Do not cover the driver side of the subwoofer or place the subwoofer so that there is less than 10 cm (4") of free space in front of the grille.

Make sure that the space underneath the subwoofer is clear from obstructions. Thick carpets may block the ventilation clearance needed for cooling the electronics.

The reflex port side (opposite of the connector panel side) should always have a

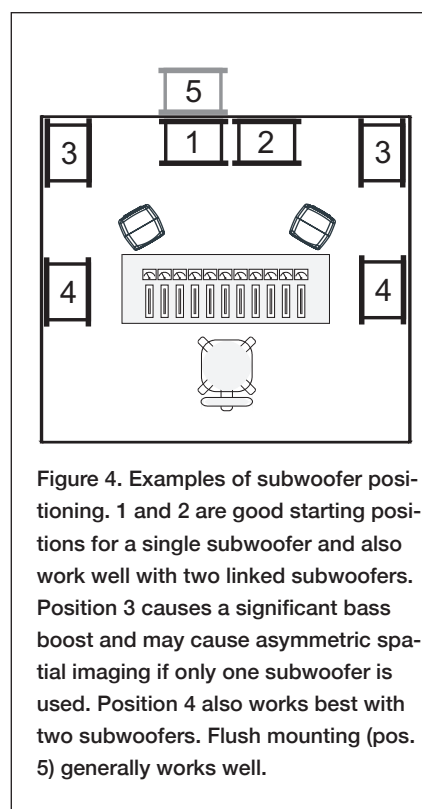


Figure 4. Examples of subwoofer positioning. 1 and 2 are good starting positions for a single subwoofer and also work well with two linked subwoofers. Position 3 causes a significant bass boost and may cause asymmetric spatial imaging if only one subwoofer is used. Position 4 also works best with two subwoofers. Flush mounting (pos. 5) generally works well.

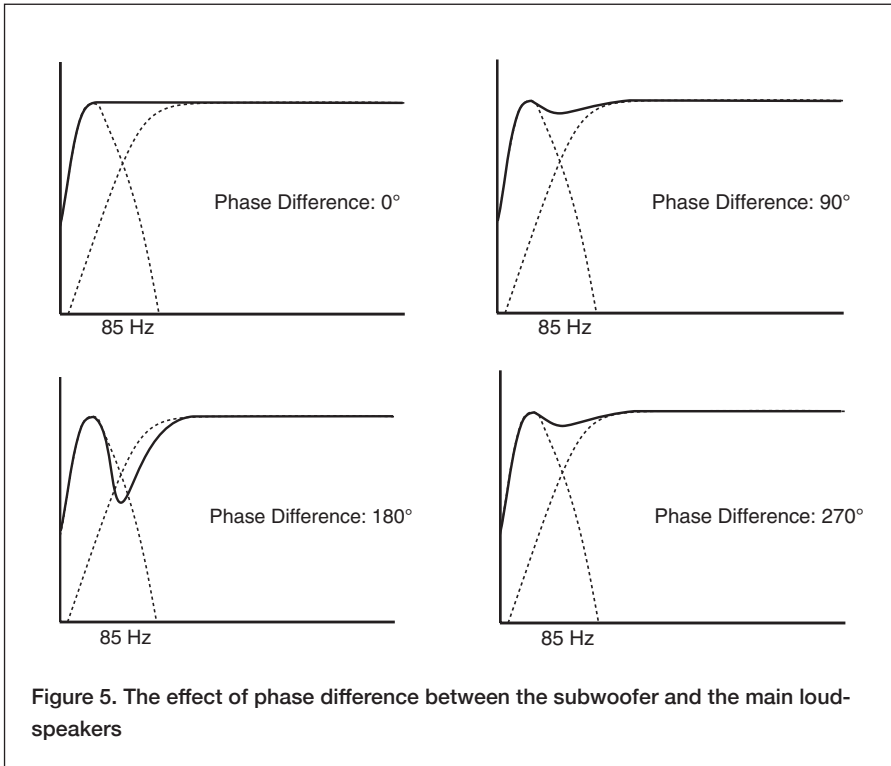


Figure 5. The effect of phase difference between the subwoofer and the main loudspeakers

clearance of at least 7.5 centimeters (3") to any objects to ensure proper functioning of the reflex port.

### Flush Mounting The Subwoofer

If the subwoofer is flush mounted into a wall or a cabinet, it is important to ensure amplifier cooling and unrestricted airflow from the reflex port. This can be done by making the recess 7.5 centimeters (3") wider than the subwoofer. Place the subwoofer into the right end of the recess with the driver side facing the room. This leaves sufficient 7.5 centimeters (3") of free space on the reflex port side. The height and depth of the recess should not be any bigger than is needed to fit the subwoofer flush with the wall surface.

### Sensitivity Adjustment

The subwoofer requires input sensitivity alignment to the source to obtain a correctly balanced system. The input sensitivity control is located on the connector panel of the subwoofer. An input voltage of -6 dBu with a -6 dBu input sensitivity setting will produce 100 dB SPL @ 1 m in free field.

### Setting The Phase Control

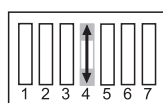
Incorrect phase alignment between the main loudspeakers and subwoofer causes a drop in the frequency response of the whole system at the crossover frequency.

The graphs above (Fig. 5) show the effect of phase difference to the frequency response.

The phase difference between the main loudspeakers and subwoofer at the listening position is dependent upon the position of the subwoofer, so the phase adjustment should be done only after the preferred position is found. Acoustic measuring equipment is required for accurate system alignment. If this equipment is not available, the following coarse phase matching can be applied.

### Coarse Phase Adjustment Method

Connect an audio frequency signal generator to one of the inputs of the 7050C and set it to feed a 85 Hz signal to the system. Alternatively, you can use a 85 Hz signal from a suitable audio test recording. Make sure you connect (even temporarily) a main loudspeaker to the corresponding output on the subwoofer, so that the test signal is properly reproduced by both subwoofer and main loudspeaker.



Toggle the -180° phase switch (DIP 4 from left) "ON" and "OFF", and set it to the position which gives the lowest sound level at the listening position.

Next toggle the -90° phase switch (DIP 3)

Subwoofer placement	Bass Roll-Off setting
Near to a wall	-4 dB
In a corner	-8 dB
Flush mounted	-4 dB

Table 1. Suggested Bass Roll-Off settings

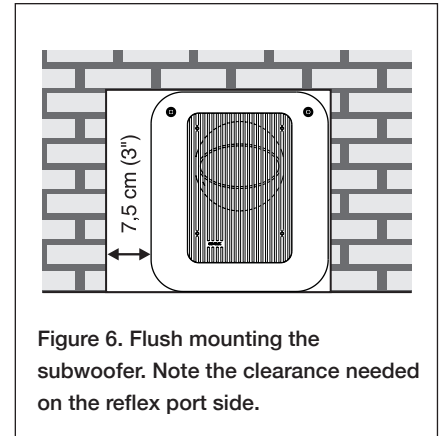
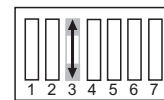
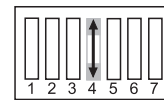


Figure 6. Flush mounting the subwoofer. Note the clearance needed on the reflex port side.



"ON" and "OFF", and again set it to the position which gives the lowest sound level.



Finally, set the -180° phase switch (DIP 4) to the opposite setting and deactivate the test signal.

### Phase Correction Method With Test Equipment

The following procedure matches the phase between the subwoofer and the main loudspeakers using a frequency analyser and a pink noise generator. Connect a high grade measuring microphone to the analyser and feed pink noise into one of the inputs of the subwoofer. Position the microphone at the listening position and adjust the input sensitivity of the subwoofer until frequencies below and above 85 Hz are reproduced at equal level. Then adjust the phase control switches for the maximum dip of at least -6 dB at the crossover frequency (85 Hz).

Change the -180° switch to the opposite setting. The phase should now be set correctly and the frequency analyser should show a smooth response around 85 Hz.

### Using The LFE +10 dB Function

The LFE channel is usually recorded 10 dB lower than the main channels so that there

is 10 dB of extra level (headroom) available.

Most AV processors automatically add 10 dB to the LFE channel to restore the level in the LFE channel but some medium format mixing consoles and many smaller consoles do not have the facility to apply the +10 dB gain to the LFE. To overcome this limitation Genelec subwoofers provide a +10 dB LFE gain selection.

The “LFE +10 dB” function should not be used in the following cases:

- If the +10 dB LFE gain is already implemented by another device, for example, a surround sound processor or the output matrix of a mixing console.
- When producing an audio format that does not require the use of +10 dB gain on the LFE channel.

### Bypass

The Bypass input accepts a 6.3 mm tip-ring-sleeve (TRS) or tip-sleeve (TS) plug. This plug supports a contact open/close switch device. Connecting the TIP to the SLEEVE activates the bass management bypass. When the bass management bypass is active, the subwoofer only reproduces the LFE signal and the outputs bypassed to the monitors are exact copies of the inputs.

### Safety Considerations

Genelec 7050C subwoofer has been designed in accordance with international safety standards. However, to ensure safe operation and maintain the unit in safe operating condition, the following warnings and cautions must be observed:

- Servicing and adjustment must only be performed by qualified service personnel. The subwoofer cabinet or electronics unit must not be opened.
- Do not use this subwoofer with an unearthened mains cable or an unearthened mains connection as this may compromise electrical safety.
- Do not expose the subwoofer to water or moisture. Do not place any objects filled with liquid, such as vases on the subwoofer or near it.
- This subwoofer is capable of producing sound pressure levels in excess of 85 dB, which may cause permanent hearing damage.
- Free flow of air around the subwoofer is necessary to maintain sufficient cooling. Do not obstruct airflow around the subwoofer.
- Note that the subwoofer is not

7050C	2 channel system	5 channel system
	8020 8030 M030	8010 8020
Room volume up to 75 m <sup>3</sup> / 2647 ft <sup>3</sup>		

**Table 2. Recommended main speaker models for the 7050C**

completely disconnected from the AC mains service unless the mains power cord is removed from the subwoofer or the mains outlet.

### Warning!

This subwoofer is capable of delivering sound pressure levels in excess of 85 dB, which may cause permanent hearing damage.

### Maintenance

No user serviceable parts are inside the subwoofer. Any maintenance of the unit must only be performed by qualified service personnel.

### Guarantee

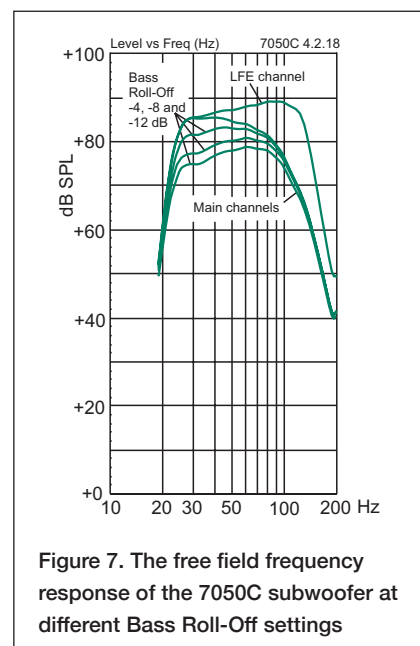
This product is supplied with a two year guarantee against manufacturing faults or defects that might alter the performance of the unit. Refer to supplier for full sales and guarantee terms.

### Compliance to FCC Rules

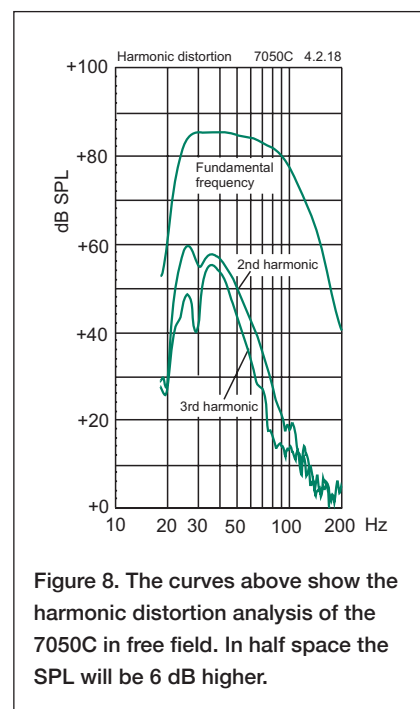
This device complies with part 15 of the FCC Rules. Operation is subject to the following two conditions:

- This device may not cause harmful interference, and
- This device must accept any interference received, including interference that may cause undesired operation.

This equipment has been tested and found to comply with the limits for a Class B digital device, pursuant to part 15 of the FCC Rules. These limits are designed to provide reasonable protection against harmful interference in a residential installation. This equipment generates, uses and can radiate radio frequency energy and, if not installed and used in accordance with the instructions, may cause harmful interference to radio communications. However, there is no guarantee that interference will not occur in a particular installation. If this equipment does cause harmful interference to radio or television reception, which can be determined



**Figure 7. The free field frequency response of the 7050C subwoofer at different Bass Roll-Off settings**



**Figure 8. The curves above show the harmonic distortion analysis of the 7050C in free field. In half space the SPL will be 6 dB higher.**

by turning the equipment off and on, the user is encouraged to try to correct the interference by one or more of the following measures:

- Reorient or relocate the receiving antenna.
- Increase the separation between the equipment and receiver.
- Connect the equipment into an outlet on a circuit different from that to which the receiver is connected.
- Consult the dealer or an experienced radio/TV technician for help.

Modifications not expressly approved by the manufacturer could void the user’s authority to operate the equipment under FCC rules.

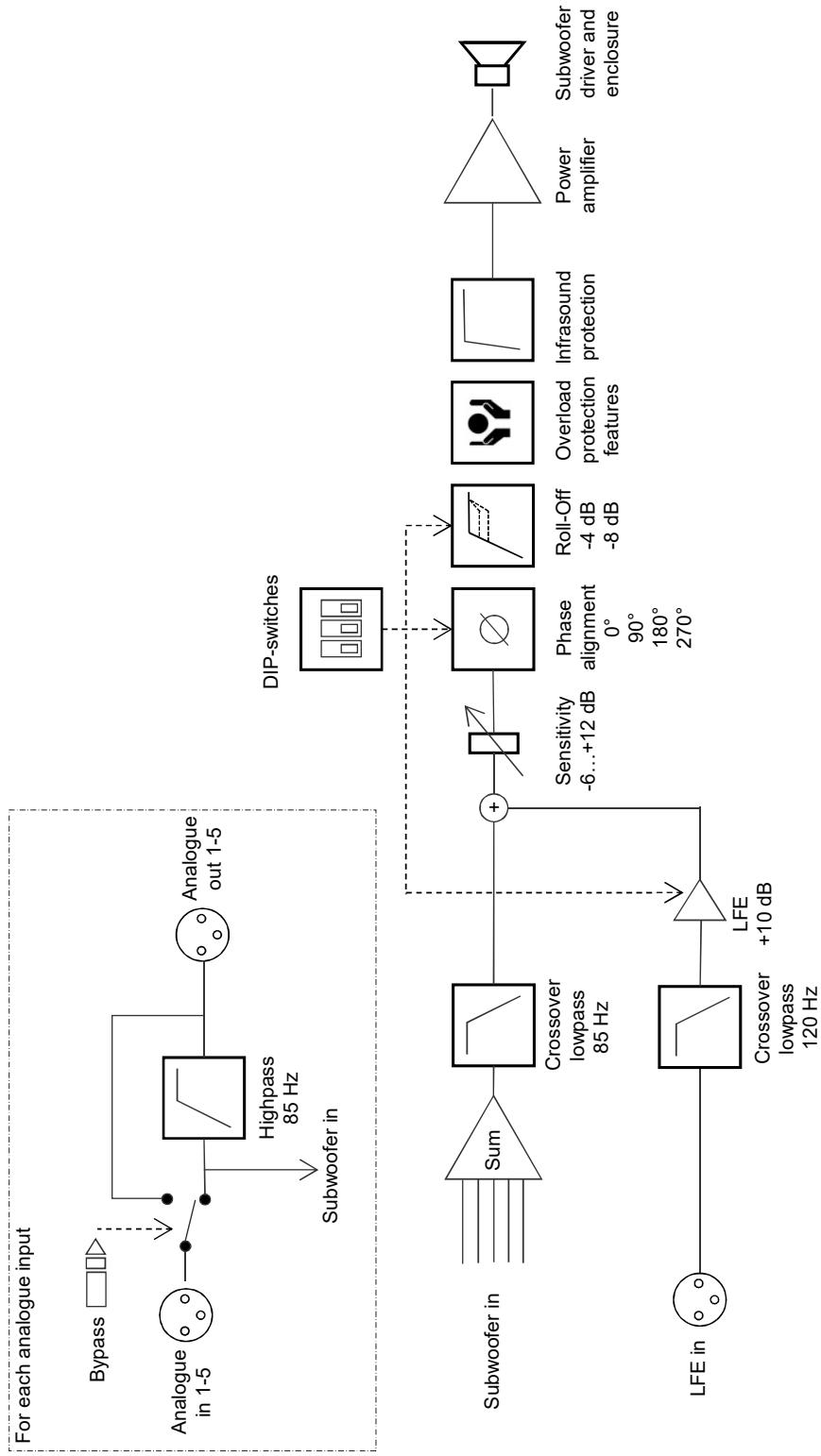


Figure 9. Signal path block diagram of the 7050C.



**SYSTEM SPECIFICATIONS**

	<b>7050C</b>
Lower cut-off frequency (-6 dB)	24 Hz
Upper cut-off frequency (-6 dB) Main channels / LFE	85 Hz / 120 Hz
Driver, magnetically shielded	205 mm (8 in)
Harmonic distortion at 90 dB SPL at 1 m on axis in half space 30...85 Hz 2nd 3rd	≤ 4 % ≤ 1 %
Maximum short term sine wave SPL output averaged from 30 to 85 Hz, measured in half space at 1 meter	103 dB
Self generated noise level in half space at 1 m on axis (A-weighted)	≤ 5 dB
Weight	17.3 kg (38.1 lb)
Dimensions Height Width Depth	410 mm (16 1/8 in) 350 mm (13 3/4 in) 319 mm (12 9/16 in)

**AMPLIFIER SECTION**

	<b>7050C</b>
Amplifier short term output power (Long term output power is limited by driver unit protection circuitry)	130 W
Amplifier system THD at nominal output	≤ 0.05 %
Mains voltage	100 - 240 V 50/60 Hz universal
Power consumption (average) Standby (ISS active) Idle Full output	≤ 0.5 W 11 W 150 W

**CROSSOVER SECTION**

	<b>7050C</b>
Subsonic filter (18 dB/octave) below	24 Hz
Input channels	5 + LFE
Low pass frequency for inputs 1-5	85 Hz
Low pass frequency for LFE IN input	120 Hz
Input connectors XLR female pin 1 pin 2 pin 3	gnd + -
Input impedance	10 kOhm balanced
Midband rejection >400 Hz	≥ 50 dB
High pass frequency for outputs 1-5	85 Hz
Output connectors XLR male pin 1 pin 2 pin 3	gnd + -
Output gain	0 dB
Bass Roll-Off control in 4 dB steps	0 to -12 dB @ 26 Hz
Phase matching control in 90° steps	0 to -270°
Input sensitivity control	+12 to -6 dBu
LFE input sensitivity control	0 or +10 dB selectable



## Genelec 7050C Aktiivisubwoofer

### Yleistä

Genelec 7050C on erittäin kompakti aktiivisubwoofer ja tarkoitettu äänentoistojärjestelmien bassotoiston laajentamiseen sekä ammatti- että kotikäytössä. Sen toisto ulottuu 24 hertsiin (-6 dB).

### Rakenne

7050C:ssä on yksi 205 mm (8") magneettisuojuattu bassoelementti Genelecin patentoidussa Laminar Spiral Enclosure™ (LSE™) bassorefleksikotelossa.

### Bassohallinta

7050C:ssä on viisi ottoliitäntää (IN 1-5) linjatasoisille analogisille audiosignaaleille ja niitä vastaavat viisi antoliitäntää (OUT 1-5) pääkaiuttimille. Lisäksi subwooferissa on erillinen ottoliitin LFE-signaalille.

Subwooferin sisäänrakennettu bassohallinta jakaa viiden pääkanavan signaalin kahtia 85 hertsin taajuudelta. Alle 85 hertsin taajuudet jäävät subwooferin toistettavaksi ja yli 85 hertsin taajuudet subwoofer lähettää kunkin pääkaiuttimen toistettaviksi antoliitäntöjensä (OUT) kautta.

Subwooferin ottoliitäntöjen herkkyyttä voidaan säätää +12 ja -6 dBu:n välillä. Näin subwoofer voidaan sovittaa yhteen erilaisten pääkaiuttimien kanssa. Kaikkien antoliitäntöjen päästökaistan vahvistus on 0 dB.

LFE-kanavan ottoliitännän herkkyydeksi voidaan valita 0 tai +10 dB.

Kaikki audioliitännät on toteutettu symmetrisillä XLR-liittimillä.

Kahden "BASS ROLL-OFF"-kytkimen avulla voidaan subwooferin toistoa alarajataajuuden alueella vaimentaa 4 desibelin portain -12 desibeliin saakka. Kaksi

vaiheensäätökytkintä (PHASE) mahdollistaa subwooferin vaiheen säädön 90 asteen välein (0...-270°). Vaiheen säätö voi olla tarpeen, jos subwoofer ja pääkaiuttimet on sijoitettu eri etäisyyksille kuuntelupisteestä.

### Käyttöympäristö

Tämä subwoofer on tarkoitettu käytettäväksi kuivissa sisätiloissa. Lämpötilan tulee olla 15-35 astetta C ja ilman suhteellisen kosteuden 20-80%. Kondensaatiota ei saa esiintyä. Jos säilytyksessä tai kuljetuksessa jäähtynyt laite tuodaan lämpimään sisätilaan, pitää sen lämmön antaa tasaantua noin tunnin ajan ennen verkkovirtaan kytkemistä mahdollisen kondensaation aiheuttamien oikosulkujen välttämiseksi.

### ISS™ Autostart

7050C on varustettu automaattisella, signaalin tunnistavalla virrankytkenällä (ISS), joka aktivoidaan kääntämällä "ISS"-katkaisin asentoon "ON." Tällöin subwooferin automaattinen, signaalin tunnistava virrankytkentä kytkee sen toimintaan heti kun ottoliittimiin tulee äänisignaali. Vastaavasti subwoofer menee automaattisesti valmiustilaan, kun on kulunut jonkin aikaa signaalin päättymisestä. Valmiustilassa subwooferin tehonkulutus on alle 0,5 W.

Subwooferin käynnistymisessä valmiustilasta on pieni viive. Jos tämä ei ole hyväksyttävää, ISS-toiminto voidaan deaktivoida kääntämällä "ISS"-kytkin asentoon "OFF." Tällöin subwooferin käynnistys ja sammuttaminen tehdään liitinpaneelissa olevalla painikkeella.

"ISS SENSITIVITY LOW" -katkaisin alentaa ISS-toiminnon reagoitiherkkyyttä.

Tämän toiminnon käyttö voi olla tarpeen, jos subwoofer käynnistyy aiheettomasti erilaisista herätteistä, muulloinkin kun ääntä toistettaessa.

### Vahvistin

7050C:n vahvistimen teho on 130 W ja sen THD- ja IM-särötasot ovat hyvin matalat. Kaiutinelementin ylikuormitussuojaus, signaalin mykistys käynnistettäessä sekä ylikuumenemis- ja oikosulkusuojaus takaavat laitteen luotettavuuden.

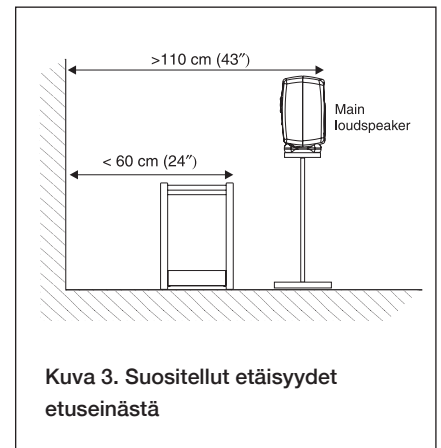
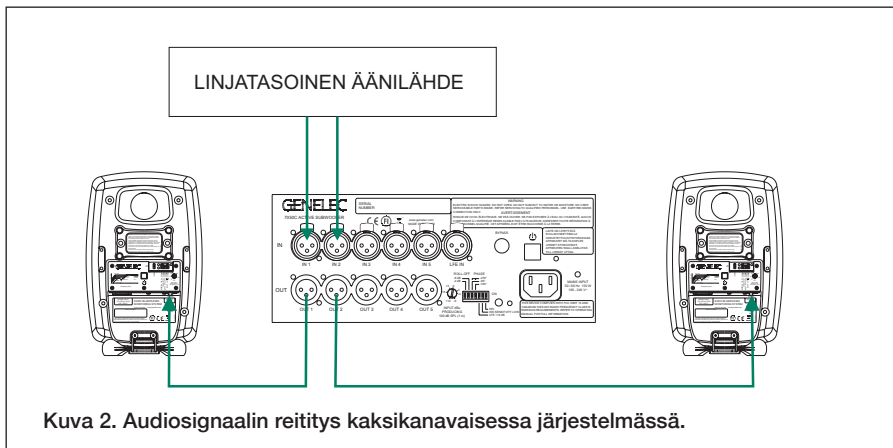
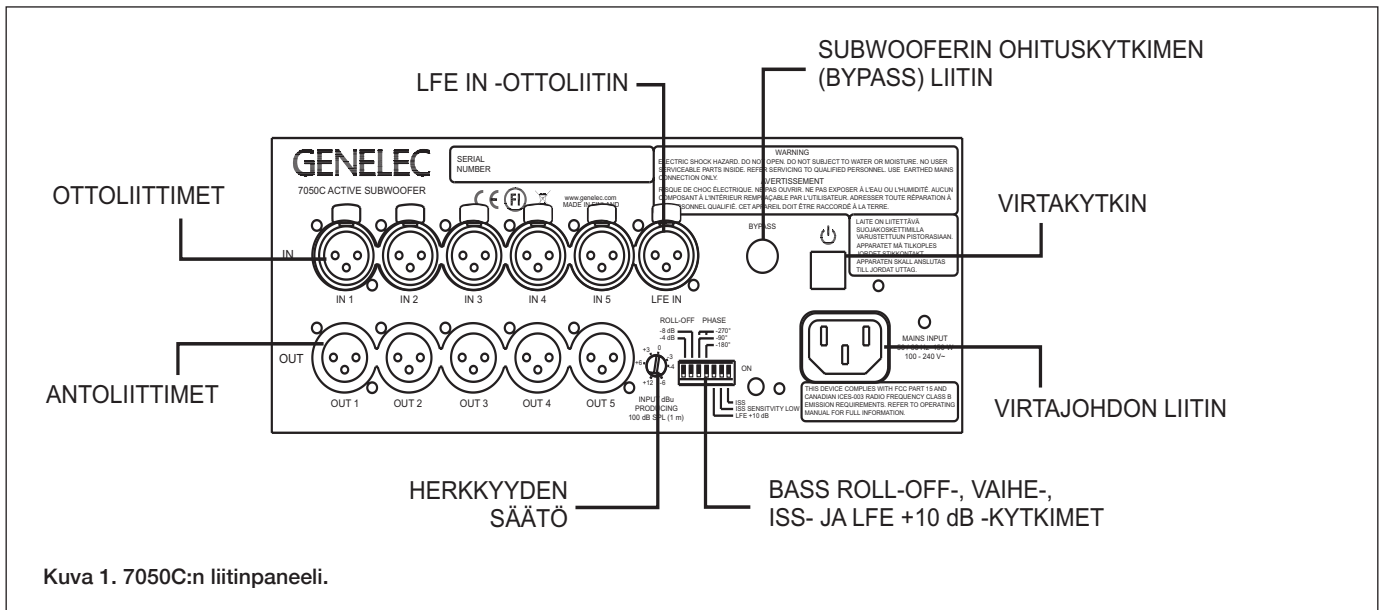
### Käyttöönotto

Subwooferin mukana toimitetaan tämä käyttöohje ja virtajohto. Tarkasta, ettei subwooferiin ole tullut kolhuja kuljetuksessa. Jos subwoofer tuodaan sisään kylmästä varastosta tai kuljetuksesta, sen pitää antaa lämmetä täysin huoneilman lämpötilaan ennen kytkentöjen tekemistä. Tarkista, että kaikki kytkettävät laitteet on sammutettu ennekuin alat kytkeä niitä yhteen.

Äänisignaalien kytkennässä käytetään symmetrisiä XLR-liittimiä ja audiokaapeleita. 7050C:ssä on viisi ottoliitäntää (IN 1-5) linjatasoisille analogisille audiosignaaleille ja niitä vastaavat viisi antoliitäntää (OUT 1-5) pääkaiuttimille. Lisäksi subwooferissa on erillinen ottoliitin LFE-signaalille. Kytke äänilähteeltä tulevat signaaliakaapelit ylemmässä liitinrivissä oleviin XLR "IN" naarasliittimiin. Seuraavaksi kytke XLR-kaapelit alemman rivin "OUT" XLR urosliittimistä pääkaiuttimiin.

Käytä "LFE IN" -liitintä LFE- tai .1 -kanavan kytkemiseen, jos käyttämässäsi ääniformaatissa on sellainen.

Kun kaikki liitännät on tehty, subwoofer ja pääkaiuttimet voidaan käynnistää.



## Subwooferin sijoitus

Bassotoiston taso ja tasapaino riippuu suuresti määrin bassotaajuuksia tuottavan kaiuttimen sijainnista huoneessa. Suhteellisen pienikin siirtäminen voi aiheuttaa merkittävän muutoksen sointitasapainoon. Subwooferin oikean paikan etsimiseen kannattaa paneutua kärsivällisesti ja huolellisesti, ja jättää herkkyys- vaiheenkääntö- ja basson tason säädöt alkuasetuksiinsa, kunnes akustisesti edullisin sijoitus on löydetty. Sen jälkeen niitä voidaan käyttää toiston lopulliseen hienosäätöön.

Hyvä sijoitus löytyy usein etukaiuttimien takana olevan seinän vierestä, hieman huoneen keskilinjan sivulta. Subwoofer kannattaa pitää lähellä seinää, alle 60 cm:n etäisyydellä elementistä mitattuna (kuva 3). Tällöin subwoofer toimii neljännesvaruudessa (kahden rajapinnan risteyksessä), mikä tukee sen bassotoistoa ja eliminoi haitalliset heijastukset etuseinästä ja lattiasta. Etukaiuttimien takana olevasta

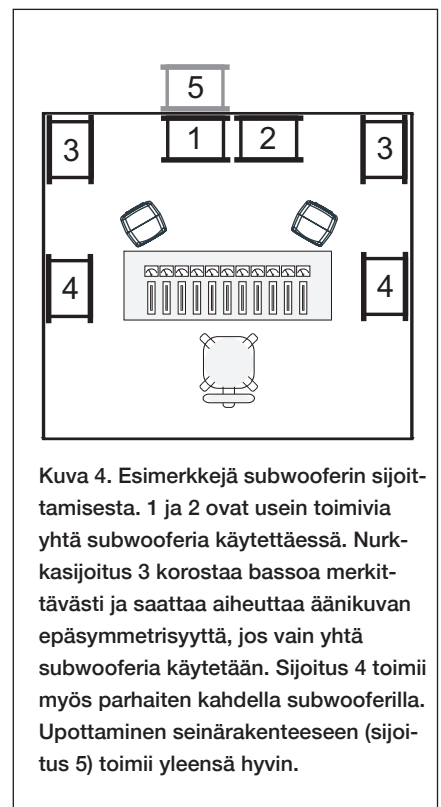
seinästä tuleva akustinen heijastus häiritsee usein niiden toistoa. Tämä ongelma voidaan minimoida käytettäessä subwooferin ja pääkaiuttimien välillä 85 hertsin jakosuodatusta siirtämällä etukaiuttimet vähintään 110 cm:n etäisyydelle seinästä (kuva 3).

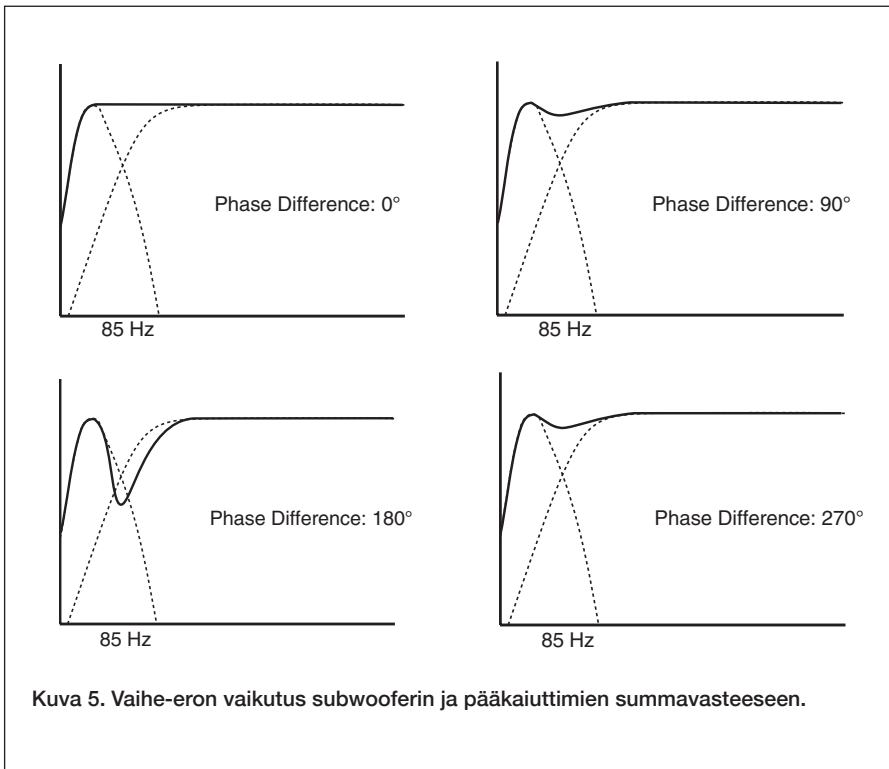
Ellei bassotoisto ole tasapainossa, siirrä subwooferia vasemmalle tai oikealle. Nurkkaan sijoittaminen korostaa bassotaajuuksia voimakkaasti ja saattaa vääristää akustista tilavaikutelmaa. Jos käytössä on kaksi subwooferia, ne kannattaa usein sijoittaa eri etäisyyksille sivuseinistä. Joissakin tapauksissa subwoofereiden sijoittaminen huoneen etunurkkiin antaa parhaan tuloksen.

## Vähimmäisetäisyydet

Kaiutinelementin edessä olevaa maskiritilää ei saa peittää, eikä subwooferia sijoiteta siten, että ritilän eteen jää vähemmän kuin 10 cm tilaa tai ilman kierto muuten estyy.

Subwooferin alla olevan pinnan pitää olla esteetön jäähdytysilman kierrolle.

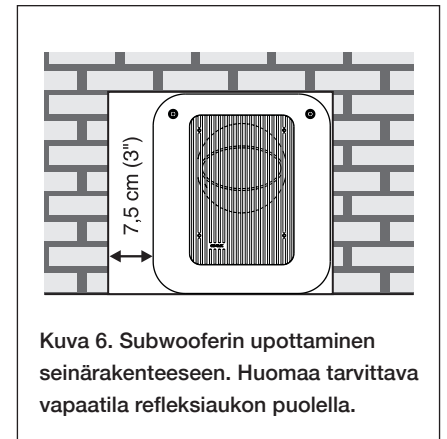




Kuva 5. Vaihe-eron vaikutus subwooferin ja pääkaiuttimien summavasteeseen.

Subwooferin sijoitus	Bass Roll-Off -asetus
Lähellä seinää	-4 dB
Nurkassa	-8 dB
Seinään upotettuna	-4 dB

Taulukko 1. Suositeltavat Bass Roll-Off -säätimien asetukset.



Kuva 6. Subwooferin upottaminen seinärakenteeseen. Huomaa tarvittava vapaatila refleksiakun puolella.

Esimerkiksi paksut matot voivat estää subwooferin alla olevan elektroniikkakotelon riittävän jäähtymisen.

7050C-subwooferin refleksiakko on kaiutinelementin puolelta katsoen vasemmalla sivulla alhaalla. Refleksikotelon oikean toiminnan varmistamiseksi pitää tälle puolelle jäädä vähintään 7,5 senttimetrin vapaa tila.

### Subwooferin upottaminen seinään

Jos subwoofer asennetaan seinään tehtyyn syvennykseen, pitää huolehtia jäähtymisen ja refleksiakun toiminnan edellyttämistä vapaatiloista. Tämä käy päinsä tekemällä syvennyksestä 7,5 cm asennettavan subwooferin koteloa leveämpi. Syvyys ja korkeus mitoitetaan niin, että subwoofer juuri mahtuu syvennykseen ja sen etuosa tulee seinän tasalle. Subwoofer sijoitetaan syvennyksen oikeaan laitaan, kaiutinelementin puoleinen pääty huoneeseen päin, jolloin refleksiakun puolelle jää tarvittava vapaatila (katso kuva 6).

### Herkkyden säätö

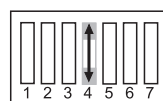
Subwooferin ja pääkaiuttimien äänenvoimakkuuserojen tasoittamiseksi 7050C-subwoofer on varustettu herkkyden säädöllä. Säätöruuvi on subwooferin liitinpaneelissa. Kun säätö on -6 dBu:n kohdalla, -6 dBu:n syöttöjännite tuottaa 100 dB:n äänenpaineen vapaakentässä yhden metrin mittausetäisyydellä.

### Vaiheen säätö

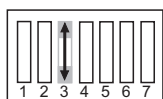
Subwooferin ja pääkaiuttimien virheellinen vaiheistus aiheuttaa vaimentuman niiden väliselle jakotaajuudelle (katso kuva 5). 7050C-subwoofer on varustettu vaiheensäätökytkimillä, joita käyttämällä ongelma voidaan ratkaista. Vaihe-ero riippuu subwooferin ja pääkaiuttimien keskinäisestä sijainnista, joten sitä kannattaa lähteä korjaamaan vasta kun kaiuttimet ovat lopullisilla sijoituspaikoillaan.

### Vaiheen säätö testisignaalin avulla

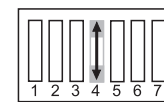
Säätöä varten tarvitet 85 hertsin testisignaalin esimerkiksi testaussignaaleja sisältävältä CD-levyltä tai signaaligeneraattorista. Sopiva testisignaali löytyy myös Genelecin verkkosivuilta. Syötä signaali surroundjärjestelmän keskikanavaan tai stereojärjestelmän vasempaan tai oikeaan kanavaan. Säädön aikana ko. kanavaan pitää olla kytkettyä toimiva pääkaiutin.



Käännä subwooferin -180° vaihekytkin (neljäs kytkin vasemmalta lukien) vuoroin päälle ja pois, ja jätä se siihen asentoon, jolla bassotoisto kuuntelupaikalla on vaimeampi.



Tee samoin -90° kytkimelle (kolmas kytkin vasemmalta lukien).



Lopuksi käännä -180° vaihekytkin vastakkaiseen asentoonsa.

### Vaiheen säätö mittalaitteiden avulla

Vaiheen säädössä voidaan käyttää myös taajuusvasteanalysointia ja vaaleanpunaista kohinaa. Kytke analysointimittausmikrofoni ja syötä vaaleanpunaista kohinaa subwooferin etukeskikanavan ottoliitintään (FRONT CENTER IN). Sijoita mikrofoni kuuntelupaikalle ja säädä subwooferin herkkyys niin, että taajuudet 85 hertsin molemmiin puolin toistuvat yhtä voimakkaasti. Tämän jälkeen etsi -180°- ja -90°-vaihekytkimille se asetus, jossa jakotaajuudelle tulee mahdollisimman suuri (vähintään -6 dB) kuoppa.

Käännä -180° vaihekytkin vastakkaiseen asentoonsa. Säätö on nyt valmis ja taajuusvasteanalysointimittausmikrofonin pitäisi näyttää tasaista vastetta 85 hertsin jakotaajuuden yli.

### LFE +10 dB -toiminnon käyttö

LFE-kanava tallennetaan yleensä 10 desibeliä pääkanavia alemmalla tasolla riittävän ylioheisuuden varmistamiseksi.

Useimmat AV-prosessorit korottavat automaattisesti LFE-kanavan tasoa 10 desibeliä kompensoidakseen tämän, mutta joissakin äänipöydissä ei ole tätä toimintoa.

Tällaisessa tapauksessa voidaan käyttää subwooferin +10 dB LFE -toimintoa.

LFE +10 dB -toimintoa ei tule käyttää seuraavissa tapauksissa:

- Jos LFE-kanavan taota on jo nostettu +10 dB jollain signaaliketjun laitteella, kuten esimerkiksi AV-prosessorilla tai äänipöydän antoliitännöissä.
- Kun tuotetaan ääniformaattia, jossa ei käytetä LFE-kanavan tason muutosta.

### Bypass (subwooferin ohitus)

Bypass-liittimeen voit kytkeä joko kaksi- tai kolmenapaisen 6,3 mm:n jakkiliittimen. Jakkiin liitetyllä päälle/pois -katkaisimella voit halutessasi kytkeä subwooferin ohitustoiminnon päälle. Ohitus aktivoituu kun jakin kärki (Tip) ja runko (Sleeve) kytketään yhteen. Kun ohitus on päällä, subwoofer toistaa vain LFE-kanavaan syötettävän signaalin, eikä lainkaan pääkanavien 1-5 signaaleja, jotka ohjataan suodattamattomina pääkaiuttimiin.

### Turvallisuusohjeita

Genelec 7050C on suunniteltu ja valmistettu täyttämään kansainväliset turvallisuusnormit. Virheellisestä käytöstä saattaa kuitenkin seurata vaaratilanne, joten seuraavia ohjeita on aina noudatettava:

- Laitetta ei saa asettaa alttiiksi kosteudelle tai roiskevedelle. Se on tarkoitettu käytettäväksi ainoastaan kuivassa huonetilassa.
- Huolto- ja korjaustoimia saa suorittaa vain valmistajan valtuuttama huoltohenkilöstö.
- Älä avaa subwooferin koteloa tai irrota laitteesta mitään osia.
- Laitteen saa kytkeä ainoastaan maadoitettuun pistorasiaan.
- Huomaa, että vahvistin ei ole täysin jännitteetön ellei virtajohtoa ole irrotettu pistokkeesta.
- Subwooferin ympärillä pitää olla riittävä vapaatila lämmön haihduttamiseksi.

### Huolto

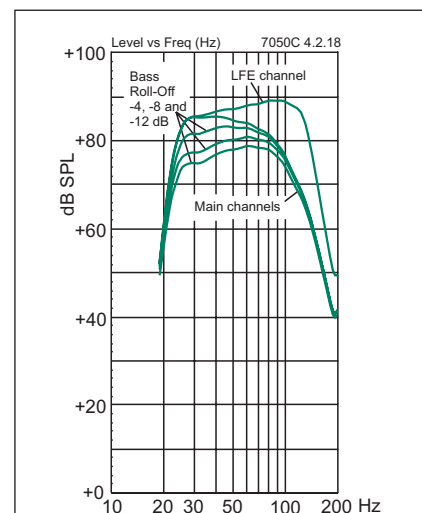
Kaikki huolto- ja korjaustoimet on annettava valmistajan tai valmistajan valtuuttaman huoltohenkilöstön suoritettaviksi. Älä avaa laitetta itse.

### Takuu

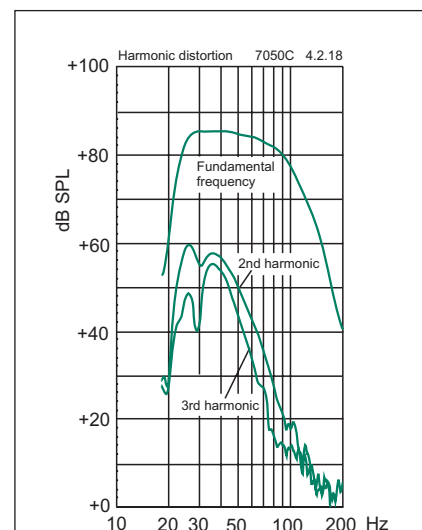
Genelec Oy antaa tälle tuotteelle kahden vuoden takuun ostopäivästä lukien. Takuu kattaa valmistusvirheet ja materiaaliviat.

7050C	2-kanavainen järjestelmä (2.1)	5-kanavainen järjestelmä (5.1)
	8020 8030 M030	8010 8020
	Huoneen tilavuus <75 m <sup>3</sup>	

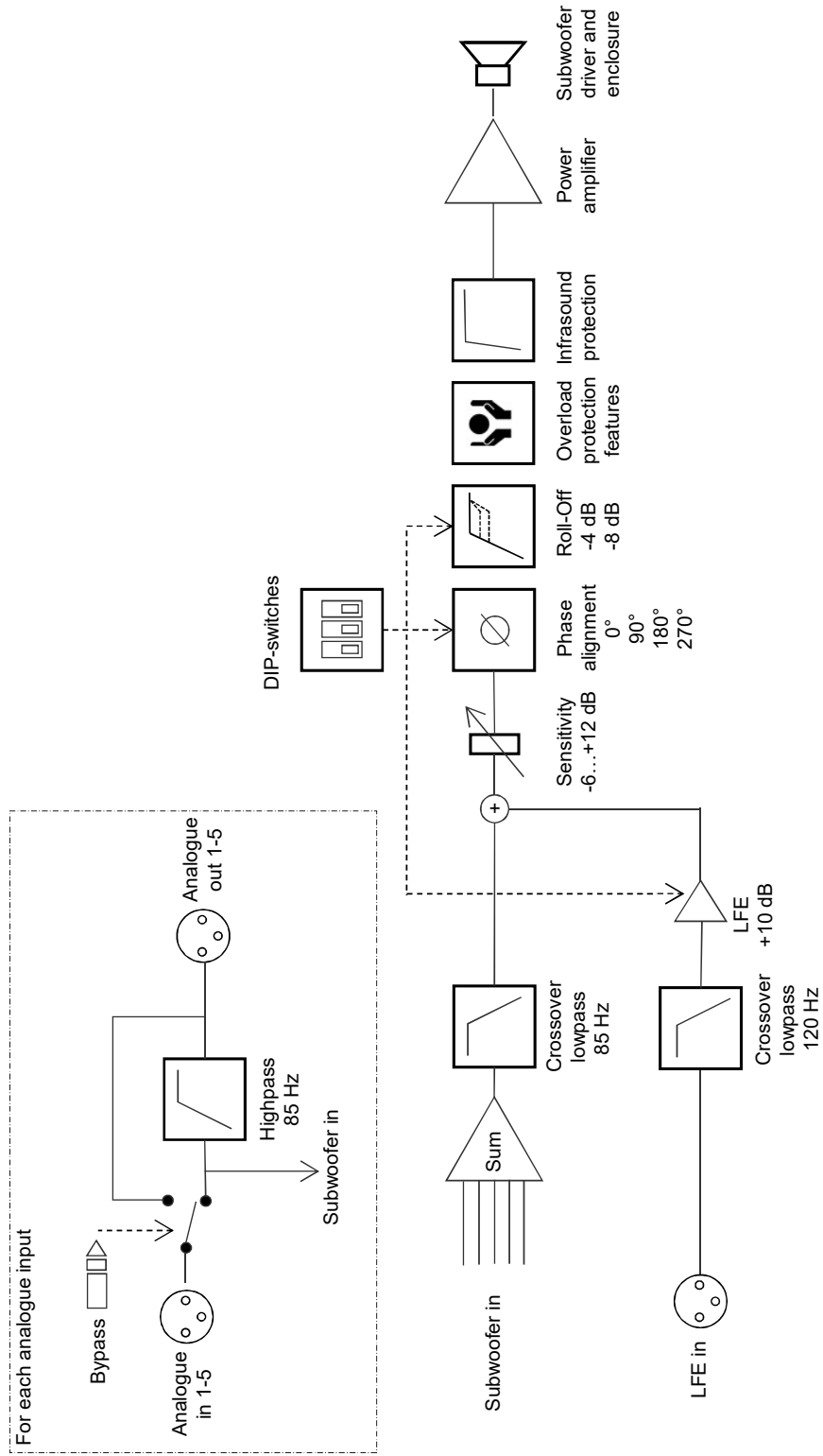
Taulukko 2. Suositeltavat pääkaiuttimet 7050C:lle.



Kuva 7. 7050C:n vapaakenttävaste ja Bass Roll Off -säädön vaikutus vasteeseen.



Kuva 8. 7050C:n harmoninen särö vapaakentässä. Puoliavaruudessa äänenpaine (SPL) on 6 desibeliä korkeampi.



Kuva 9. 7050C:n signaalitien lohkokaavio.

**TEKNISET TIEDOT**

	<b>7050C</b>
Alarajataajuus (-6 dB)	24 Hz
Ylärajataajuus (-6 dB) Pääkanavat / LFE	85 Hz / 120 Hz
Kaiutinelementti (magneettisuojuattu)	205 mm (8")
Harmoninen särö äänenpaineella 90 dB SPL 1 metrin mittausetäisyydellä puoliavaruudessa 30...85 Hz Toinen Kolmas	≤ 4 % ≤ 1 %
Hetkellinen maksimiäänepaine mitattuna sinisignaalilla 1 m mittausetäisyydellä puoliavaruudessa. Keskiarvo taajuusalueella 30...85 Hz	103 dB
Akustinen pohjakohinataso 1 m mittausetäisyydellä puoliavaruudessa (A-painotus)	≤ 5 dB
Paino	17,3 kg
Mitat Korkeus Leveys Syvyys	410 mm 350 mm 319 mm

**VAHVISTIN**

	<b>7050C</b>
Vahvistimen lyhytkestoinen maksimiteho. (Pitkäkestoista tehoa rajoittaa kaiutinelementin suojauslektroniikka)	130 W
Vahvistimen särö (THD) nimellisteholla	≤ 0.05 %
Verkköjännite	100 - 240 V 50/60 Hz universal
Tehonkulutus (keskiarvo) Valmiustila (ISS toiminnassa) Ilman kuormaa Maksimikuormalla	≤ 0,5 W 11 W 150 W

**JAKOSUODIN**

	<b>7050C</b>
Ylipäästösuodin (18 dB/oktaavi)	24 Hz
Ottoliitännät	5 + LFE
Alipäästösuodin ottoliittimille 1-5	85 Hz
Alipäästösuodin kanavalle LFE IN	120 Hz
Ottoliittimet XLR naaras pin 1 pin 2 pin 3	gnd + -
Ottoimpedanssi	10 kOhm symmetrinen
Keskitaajuuksien vaimennus >400 Hz	≥ 50 dB
Ylipäästösuodin antoliittimille 1-5	85 Hz
Antoliittimet XLR uros pin 1 pin 2 pin 3	gnd + -
Antoliitäntöjen toistokaistan vahvistus	0 dB
Bass Roll-Off -säätö 4 desibelin portain	0 ... -12 dB @ 26 Hz
Vaiheen säätö 90° portain	0 ... -270°
Ottoherkkyyden säätö	+12 ... -6 dBu
LFE-kanavan ottoherkkyyden valinta	0 tai +10 dB

# 7050C

## Operating Manual Käyttöohje

# GENELEC®

International enquiries:  
Genelec, Olvitie 5  
FIN-74100, Iisalmi, Finland  
Phone +358 17 83881  
Fax +358 17 812 267  
Email [genelec@genelec.com](mailto:genelec@genelec.com)

In the U.S. please contact:  
Genelec, Inc., 7 Tech Circle  
Natick, MA 01760, USA  
Phone +1 508 652 0900  
Fax +1 508 652 0909  
Email [genelec.usa@genelec.com](mailto:genelec.usa@genelec.com)

In China please contact:  
Beijing Genelec Audio Co, Ltd  
Room 101, 1st Floor Building 71 B33  
Universal Business Park  
No.10 Jiuxianqiao Road,Chaoyang District,  
Beijing 100015, China  
Phone +86 (10) 5823 2014, Post code 100015  
Email [genelec.china@genelec.com](mailto:genelec.china@genelec.com)

In Sweden please contact  
Genelec Sverige  
Ellipsvägen 10A  
141 75 Kungens Kurva  
Sweden  
Phone +46 8 449 5220  
Email [info@genelec.com](mailto:info@genelec.com)