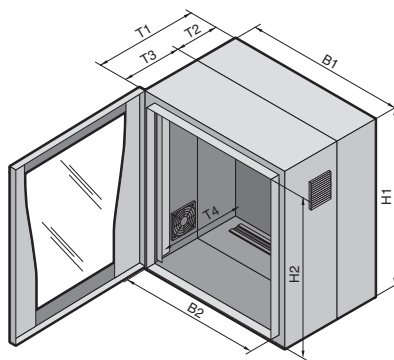


Networking

Wall-mounted enclosure, based on Rittal EL, 3-part, pre-configured, depth 573



Material:

Wall and hinged part:
Sheet steel, 1.5 mm
Viewing window:
3 mm safety glass.

Colour:

Wall and hinged part spray-finished in RAL 7035, Glazed door RAL 7035/7015 (slate grey).

Protection category:

IP 43 to EN 60 529/10.91 for 77XX.735

Supply includes:

Wall section:
with vertical punched rails and C rail mounted horizontally for cable clamping, top cable gland plate solid, bottom cable gland plate with brush strips, earthing rail with star earthing, wall mounting bracket 10 mm.

Hinged part:
with 25 mm pitch pattern of holes in the front and rear frame, Two 482.6 mm (19") mounting angles mounted on C rails, infinitely depth-variable, one outlet filter each on the left and right side.

Designer glazed door:

With 3 mm safety glass or slotted plate, 9 + 15 U with mini comfort handle for lock inserts, 21 U with comfort handle and 2-point locking, including lock 3524 E.

On request, fitted ex works:

- Fully modified wall-mounted distributors.
- Glazed door with aluminium frame¹⁾
- Sheet steel door, solid¹⁾

Approvals,
see page 86.

Detailed drawing,
available on the Internet.

U	Packs of	9	15	21	Page
Width (B1) in mm		600	600	600	
Height (H1) in mm		478	746	1012	
Depth (T1) in mm		572.5	572.5	572.5	
Clearance width (B2) mm		451	451	451	
Clearance height (H2) mm		432	699	965	
Depth of wall section (T2) mm		135	135	135	
Depth of hinged part (T3) mm		416	416	416	
Maximum installation depth (T4) mm		520	520	520	
Model No. DK glazed door	1	7709.735	7715.735	7721.735	
Model No. DK slotted metal door¹⁾	1	7709.835	7715.835	7721.835	
Load capacity, hinged part (kg)		45	75	75	
Accessories					
Solid gland plate	1	2235.135	2235.135	2235.135	970
Gland plate with brush insert	1	7705.035	7705.035	7705.035	970
Gland plate for metric cable glands	1	7705.235	7705.235	7705.235	970
Fan expansion kit, 230 V	1	7980.100	7980.100	7980.100	649
Spare filter mats	5	3322.700	3322.700	3322.700	670
Wall mounting bracket, 40 mm	1	2503.000	2503.000	2503.000	905
Lock inserts		see page 888			
Component shelf 2 U, fixed installation or fully extendible, 300 mm deep	1	7148.035	7148.035	7148.035	946
Component shelf 2 U, static installation, 250 mm	1	7119.250	7119.250	7119.250	948

¹⁾ Extended delivery times.